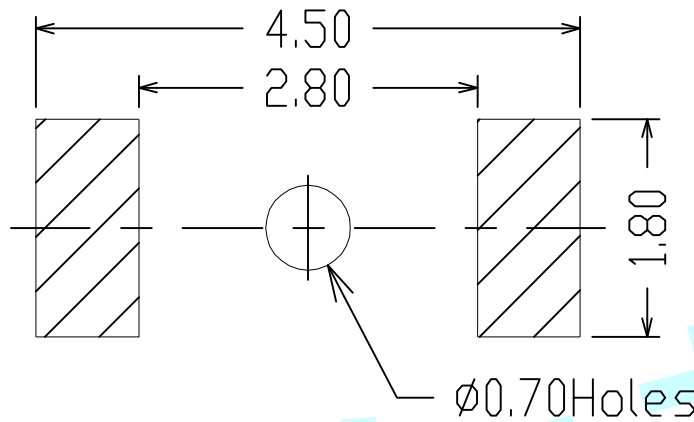
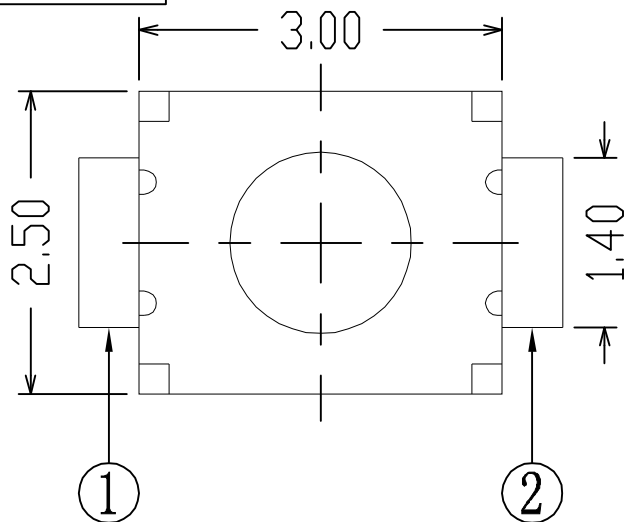


ROHS



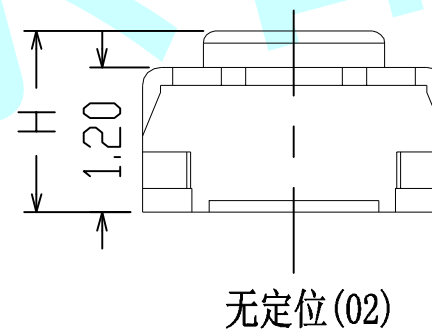
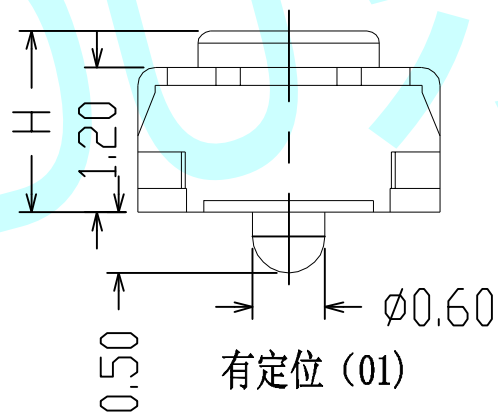
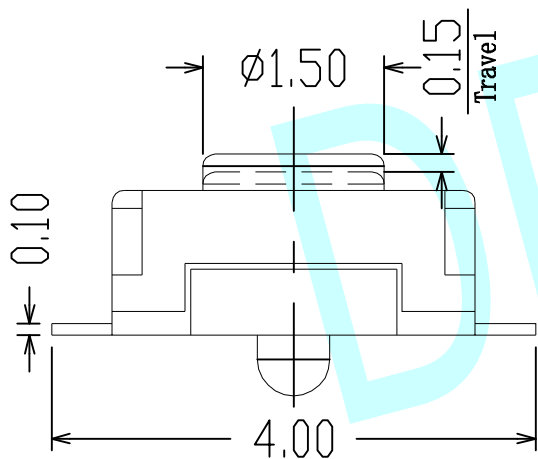
NOTES :

1. Rating :DC 12V 50mA.
2. Contact resistance: $\leq 100\text{m}\Omega$
3. Insulation resistance: $\geq 100\text{M}\Omega$
4. Travel: $0.15 \pm 0.10\text{mm}$


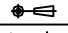
PCB Layout



Circuit Diagram



H	1.50	1.70			
Stergth	90±30	130±30	180±30	250±30	350±50

APPROVALS		DATE	http://www.dongdudz.com		
DRAW:	ZRD	2017-12-6	TOLERANCE:	ANGLE:	
CHECKED:	***	****	30 \geq	± 0.30	$\pm 2^\circ$
APPOVALS:	***	****	10 $^\circ$ 30	± 0.20	
			5 $^\circ$ 10	± 0.15	
			≤ 5	± 0.10	
			 ® 东都电子 DONGDU ELECTRONICS		
MODEL:		TACT SWITCHES			
PART NO:		DDU-1112SA			
UNIT :mm	SCALE: 1:1				
REV:	A	PAGE: 1/1			