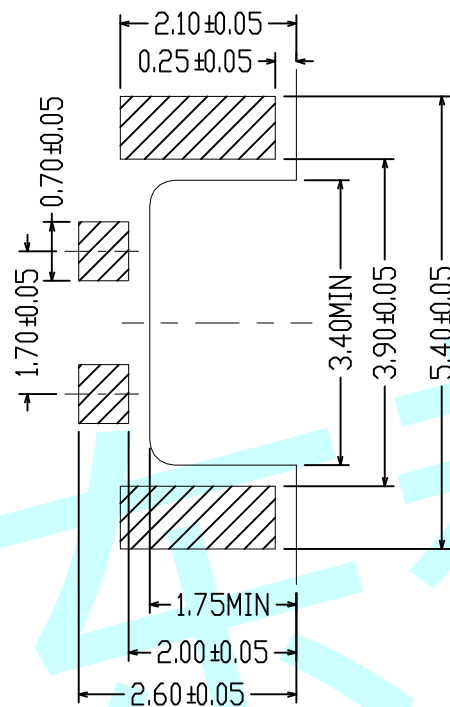
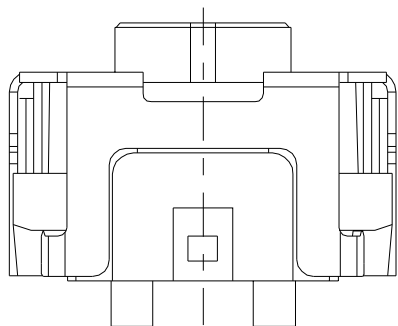
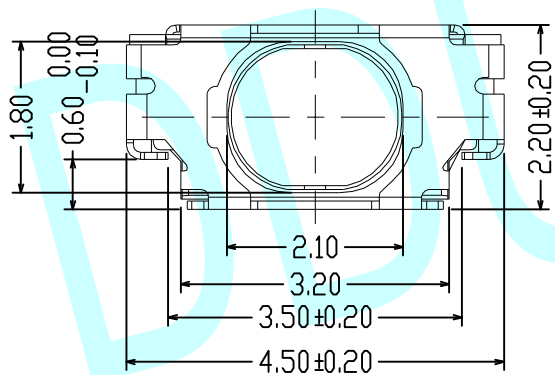
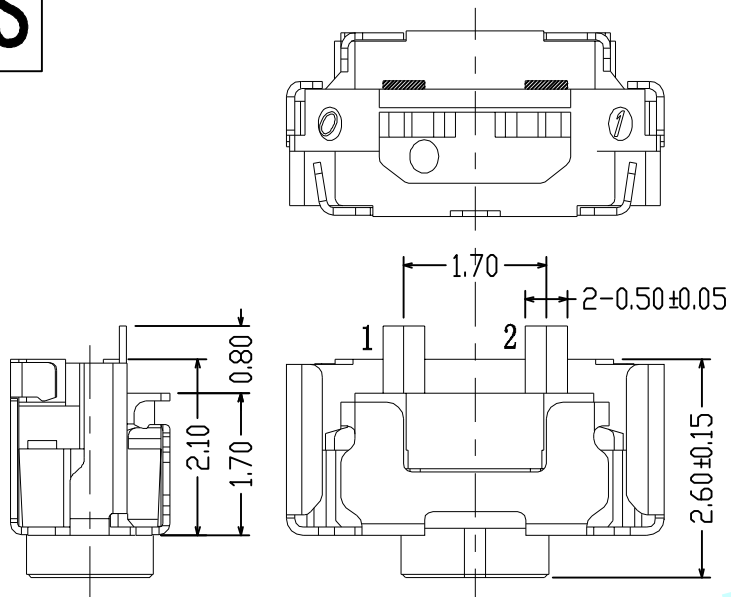
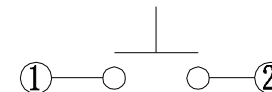


ROHS




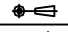
PCB LAND DIMENSION



CIRCUIT DIAGRAM

NOTES:

1. Rating: DC 12V 50mA
2. Contact resistance: 100mΩ MAX
3. Insulation resistance: 100MΩ MIN
4. Dielectric strength: 250V AC MIN
5. Operating force: 1.7±0.30N
6. Operating life: 600,000 cycles

APPROVALS		DATE	http://www.dongdudz.com	
DRAW:	ZRD	2017-12-6	TOLERANCE:	ANGLE:
CHECKED:	***	****	30° ≥ ±0.30	±2°
APPOVALS:	***	****	10°~30 ±0.20	
			5°~10 ±0.15	
			≤5 ±0.10	
				 ® 东都电子 DONGDU ELECTRONICS
				MODEL: TACT SWITCHES PART NO: DDU-20408-P-A UNIT :mm SCALE: 1:1  REV: A PAGE: 1/1