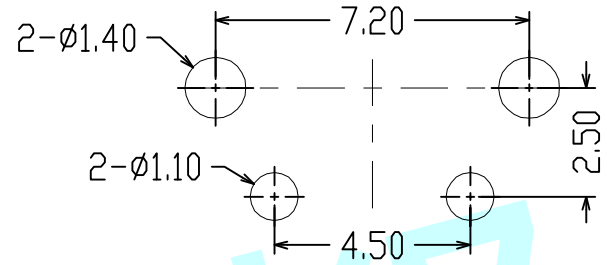
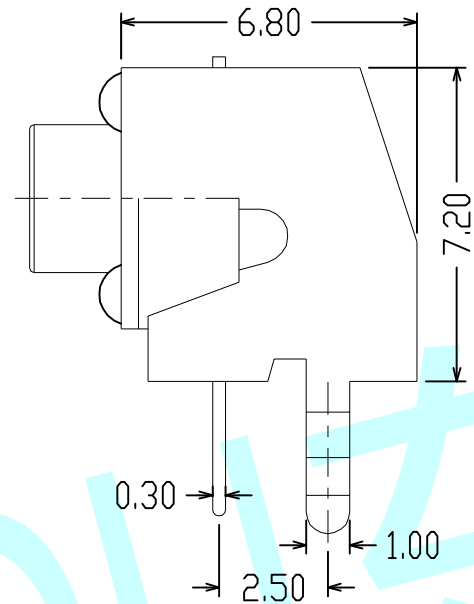
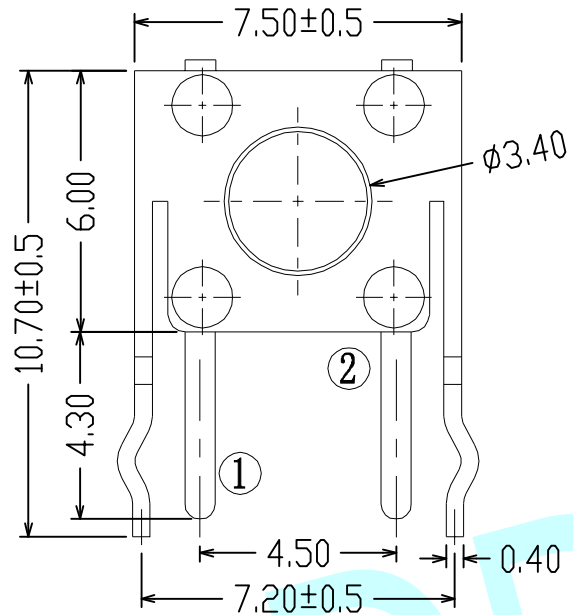
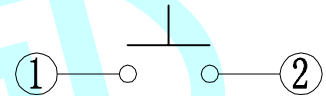


ROHS

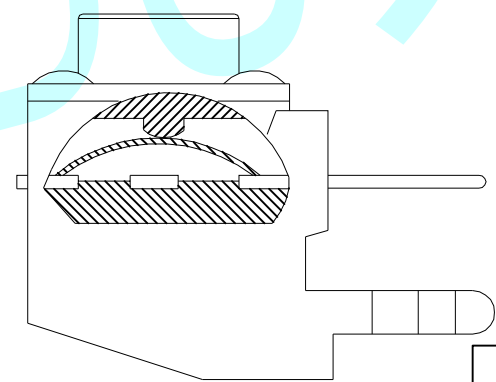
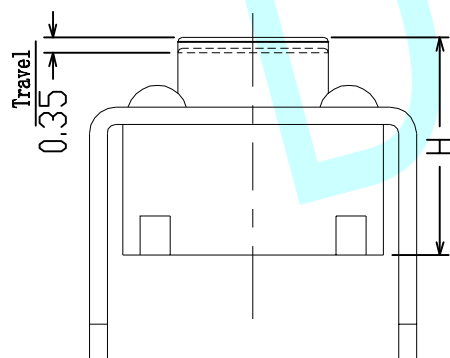


PCB Layout (Pattern Side)



Circuit Diagram

- NOTES :**
1. Rating :DC 12V 50mA.
 2. Contact resistance: $\leq 100m\Omega$
 3. Insulation resistance: $\geq 100M\Omega$
 4. Travelled: $0.25 \pm 0.10mm$
 5. Life :100,000 Cycles



H	14.00	15.00	15.50	16.00	17.00	18.00	19.00			
	9.00	9.50	10.00	10.50	11.00	11.50	12.00	12.50	13.00	13.50
	4.30	4.50	5.00	5.50	6.00	6.50	7.00	7.50	8.00	8.50
Stergth	90±30		130±30		180±30		250±30		350±50	

APPROVALS		DATE	http://www.dongdudz.com		
DRAW:	ZRD	2017-12-6	TOLERANCE:		ANGLE:
CHECKED:	***	****	30 \geq	± 0.30	$\pm 2^\circ$
APPOVALS:	***	****	10 \sim 30	± 0.20	
			5 \sim 10	± 0.15	
			≤ 5	± 0.10	

东都电子

DONGDU ELECTRONICS

MODEL:	TACT SWITCHES	
PART NO:	DDU-2024	
UNIT :mm	SCALE: 1:1	
REV:	A	PAGE: 1/1