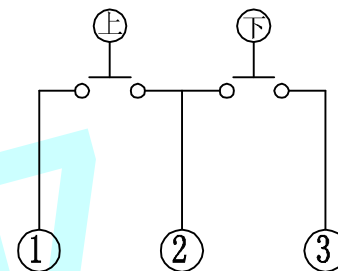
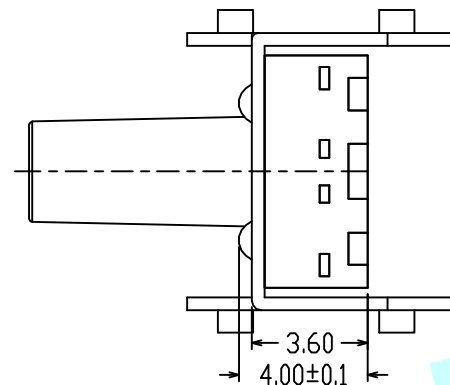
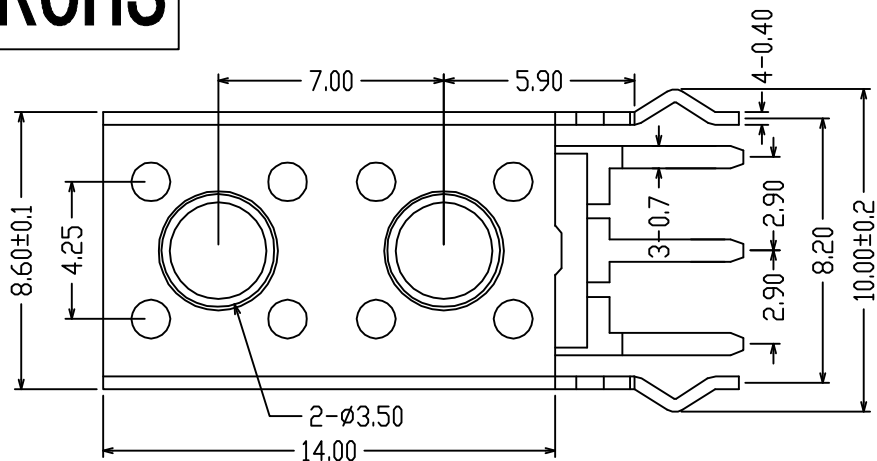
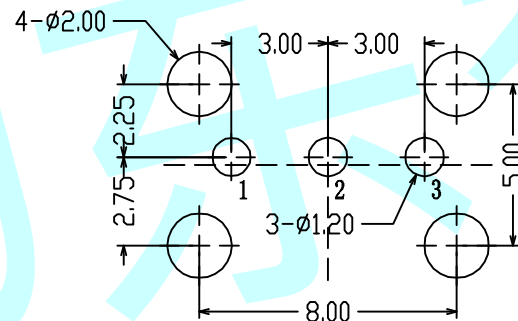
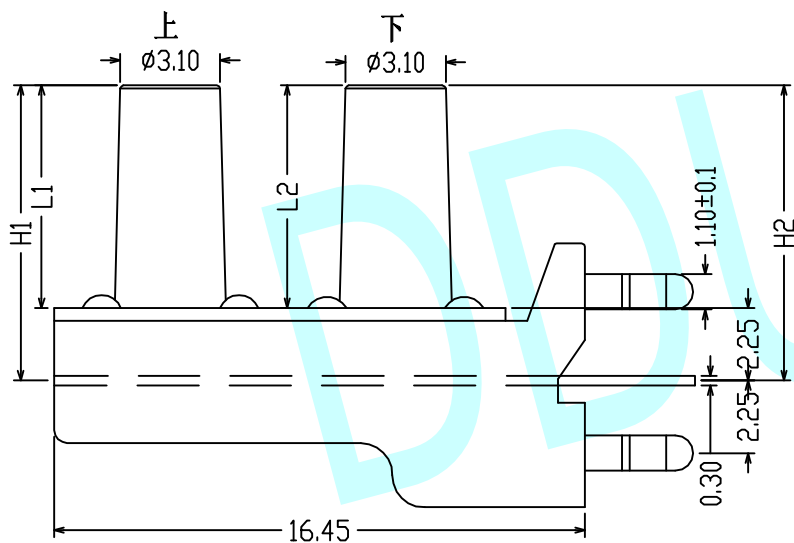


ROHS



Circuit Diagram



PCB Layout (Pattern Side)

NOTES :

1. Rating :DC 12V 50mA.
2. Contact resistance:100mΩ max
3. Insulation resistance: 100MΩ min
4. Travel: 0.20±0.05mm
5. Life :50,000 Cycles

H2	3.65	8.65	9.15	3.65	5.65	8.65	10.15	15.65	15.65
H1	3.65	3.65	5.65	8.65	8.65	8.65	10.15	10.15	15.65
L2	1.4	6.4	6.9	1.4	3.4	6.4	7.9	13.4	13.4
L1	1.4	1.4	3.4	6.4	6.4	6.4	7.9	7.9	13.4

APPROVALS		DATE	http://www.dongdudz.com	
DRAW:	ZRD	2017-12-6	TOLERANCE:	ANGLE:
CHECKED:	***	****	30°	±0.30
APPOVALS:	***	****	10°30	±0.20
			5°10	±0.15
			≤5	±0.10



MODEL:	TACT SWITCHES
PART NO:	DDU-1138
UNIT :mm	SCALE:1:1
REV:	A

