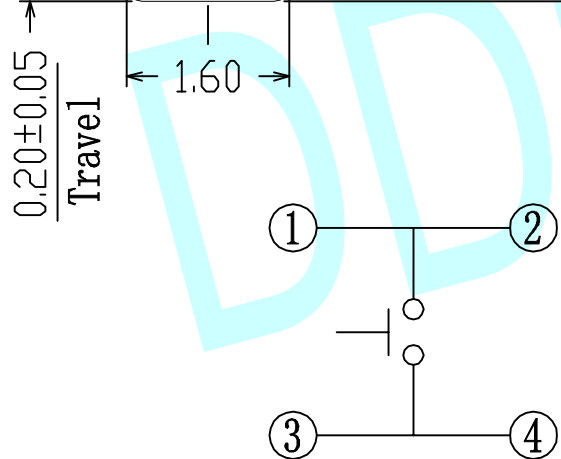
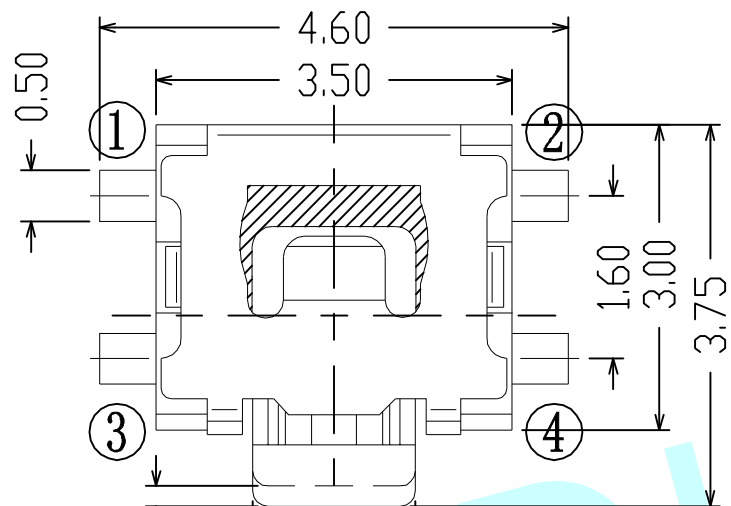
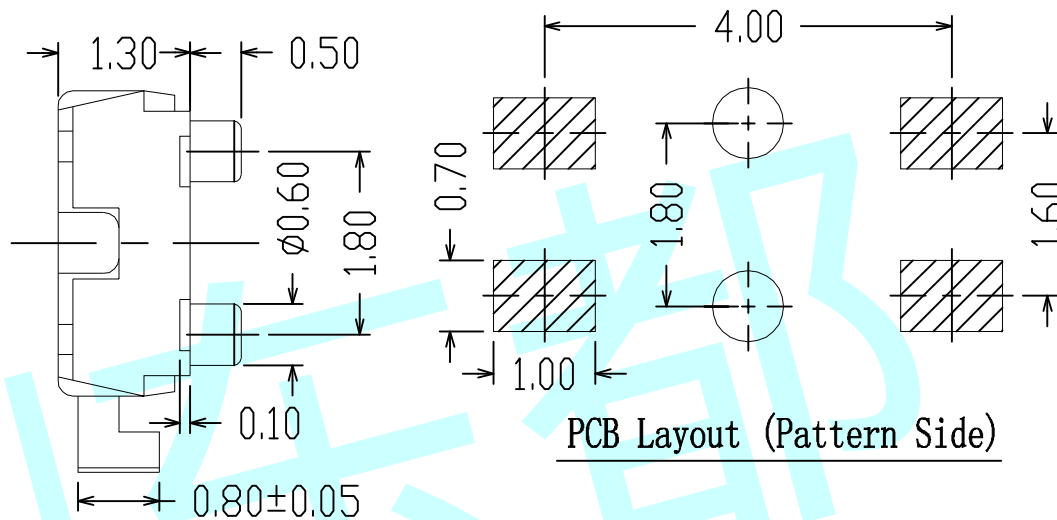


ROHS



Circuit Diagram


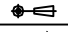


PCB Layout (Pattern Side)

NOTES :

1. Rating :DC 12V 50mA.
2. Contact resistance:  $\leq 100m\Omega$
3. Insulation resistance:  $\geq 100M\Omega$
4. Travel:  $0.20 \pm 0.10mm$

|         |       |        |        |        |        |
|---------|-------|--------|--------|--------|--------|
| Stergth | 90±30 | 130±30 | 180±30 | 250±30 | 350±50 |
|---------|-------|--------|--------|--------|--------|

|           |            |               |   |   |     |
|-----------|------------|---------------|---|---|-----|
| APPROVALS |            | DATE          | <a href="http://www.dongdudz.com">http://www.dongdudz.com</a>   |   |     |
| DRAW:     | ZRD        | 2017-12-6     | TOLERANCE:  | ANGLE:  |     |
| CHECKED:  | ***        | ****          | 30°   | ±0.30   | ±2° |
| APPOVALS: | ***        | ****          | 10°30'  | ±0.20   |     |
|           |            |               | 5°10'   | ±0.15   |     |
|           |            |               | ≤5  | ±0.10   |     |
|           |            |               |  <b>® 东都电子</b><br>DONGDU ELECTRONICS |   |     |
| MODEL:    |            | TACT SWITCHES |   |   |     |
| PART NO:  |            | DDU-1111SA    |   |   |     |
| UNIT :mm  | SCALE: 1:1 |               |   |  |     |
| REV:      | A          |               |   | PAGE:1/1  |     |