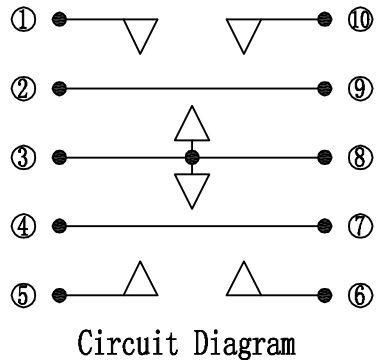
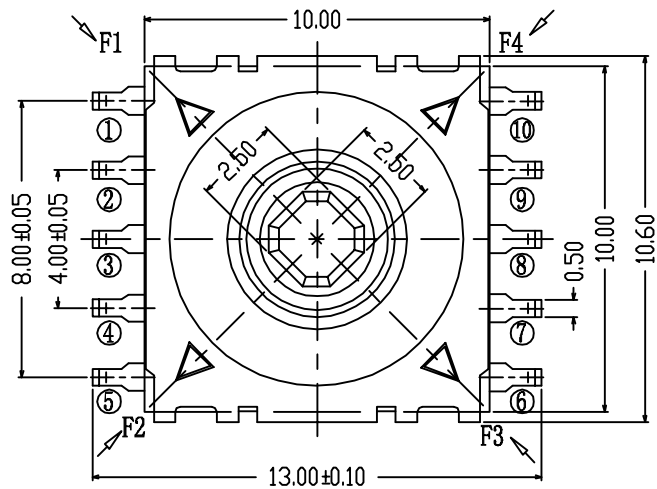


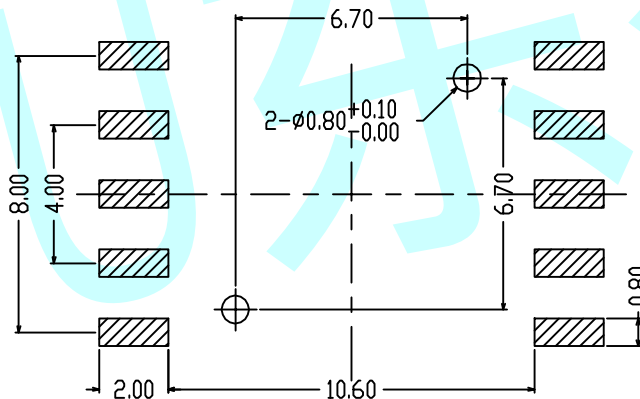
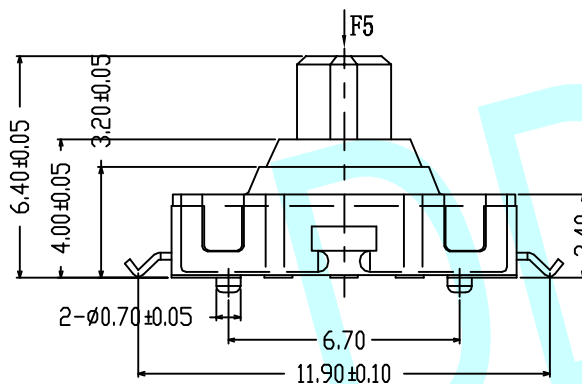
ROHS



Circuit Diagram

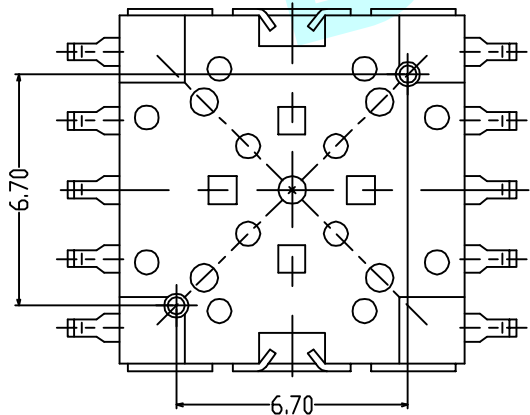
NOTES:


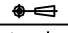
1. Rating: DC 12V 50mA
2. Contact resistance: 100mΩ MAX
3. Insulation resistance: 100MΩ MIN
4. Service life: 100,000 cycles
5. Operating temperature: -25 °C~+85 °C
6. Using humidity: ≤85% RH
7. Operating Force :
 - a. Lever Porting : 4-180±50gf
 - b. Push Portion : 250±50gf



PCB Layout (Pattern Side)

	1	2	3	4	5	6	7	8	9	10
F1	○	○							○	
F2				○	○		○			
F3				○		○	○			
F4		○							○	○
F5		○	○	○		○	○	○		



APPROVALS		DATE	http://www.dongdudz.com		 东都电子 DONGDU ELECTRONICS
DRAW:	ZRD	2017-12-6	TOLERANCE:	ANGLE:	
CHECKED:	***	****	30° ≥ ±0.30	±2°	
APPOVALS:	***	****	10°~30 ±0.20		
			5°~10 ±0.15		
			≤5 ±0.10		MODEL: ROCKER SWITCH PART NO: DDU-1218 UNIT :mm SCALE: 1:1  REV: A PAGE: 1/1