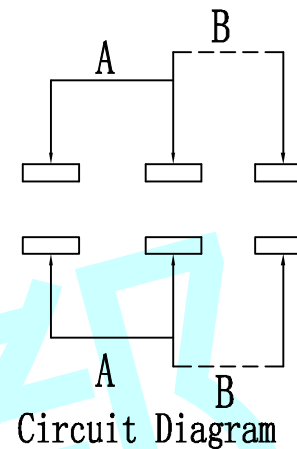
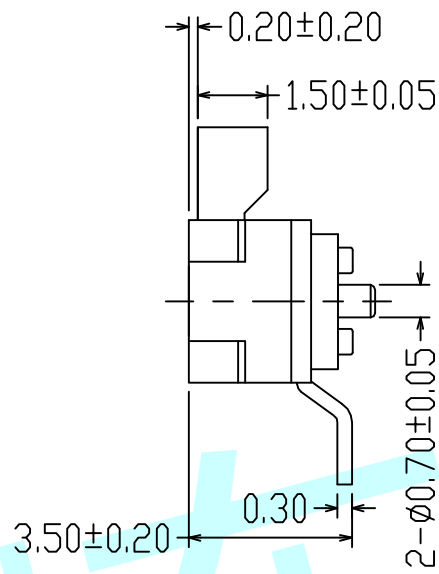
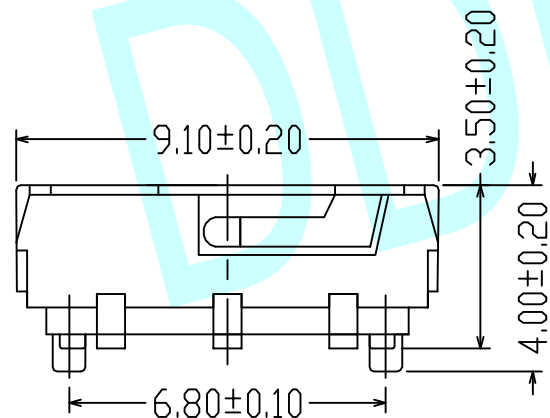
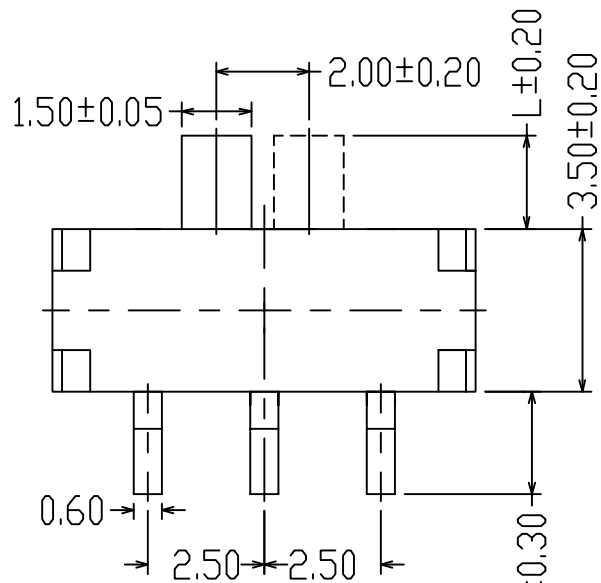
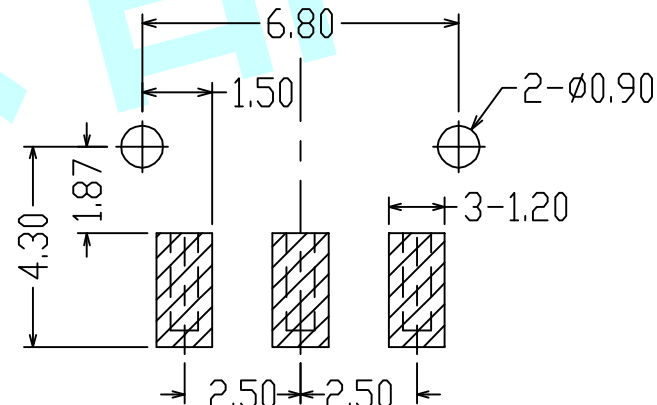


ROHS



Circuit Diagram



PCB Layout (Pattern Side)

NOTES:

1. Operating Force :  $200 \pm 100$ gf

L	2.00	3.00	4.00
---	------	------	------

APPROVALS		DATE	http://www.dongdudz.com	
DRAW:	ZRD	2017-12-6	TOLERANCE:	ANGLE:
CHECKED:	***	***	30° ≥ ±0.30	±2°
APPOVALS:	***	***	10°30 ±0.20	
			5°10 ±0.15	
			≤5 ±0.10	
东都电子 DONGDU ELECTRONICS		MODEL: TOGGLE SWITCHES PART NO: DDU-1450S UNIT :mm SCALE:1:1 REV: A PAGE:1/1		