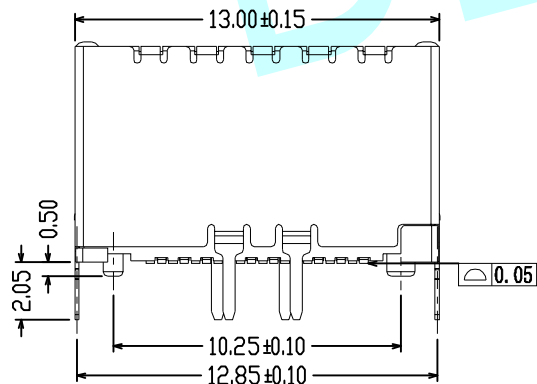
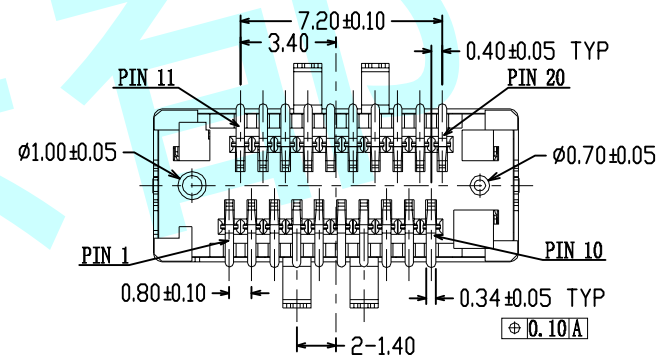
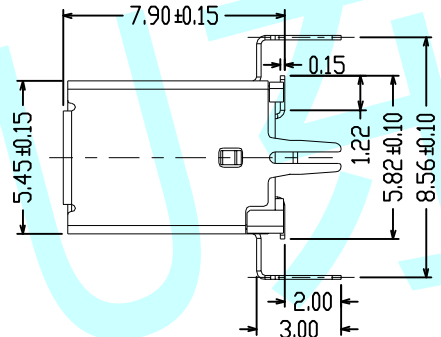
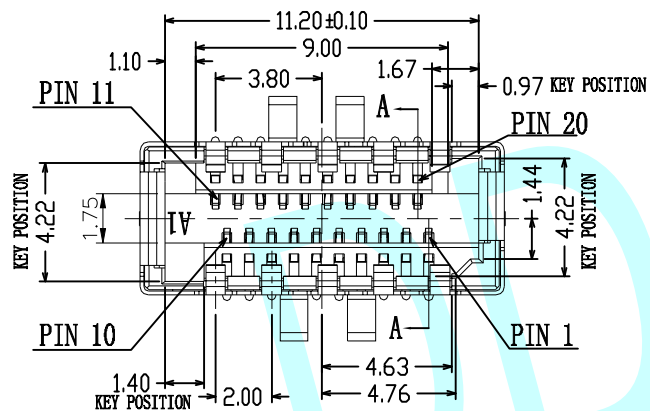
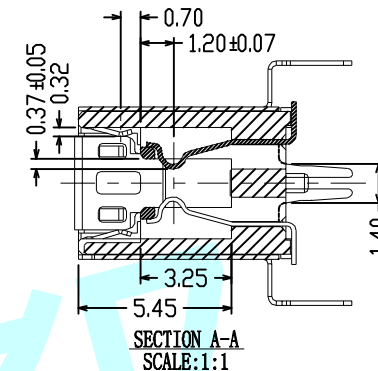
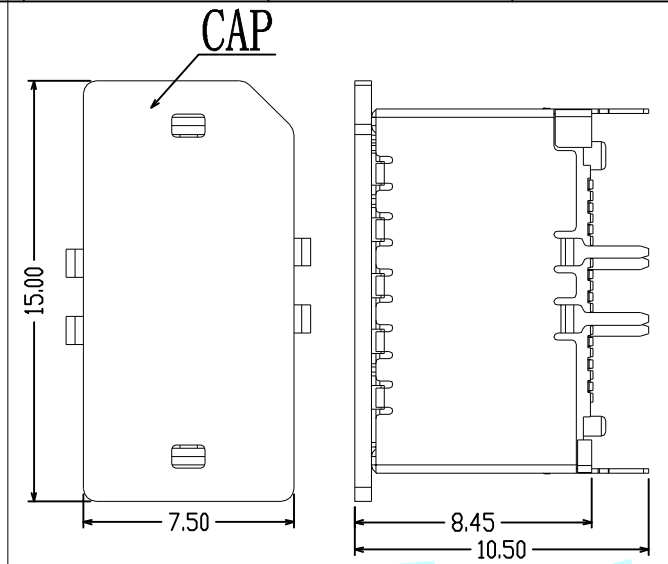
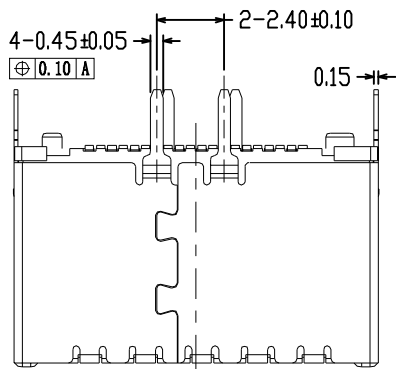


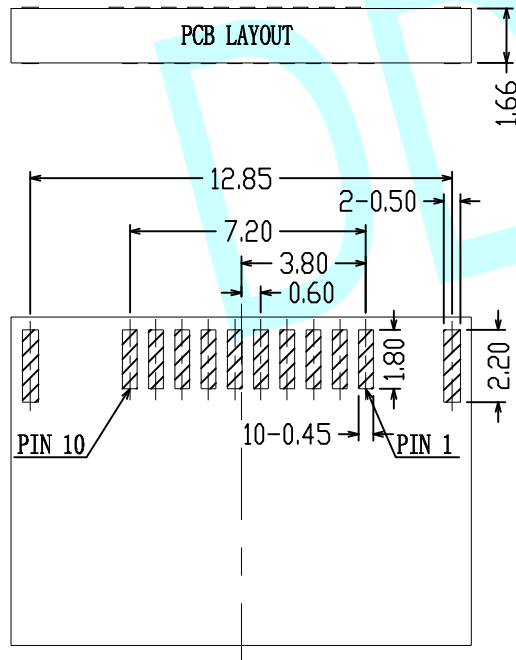
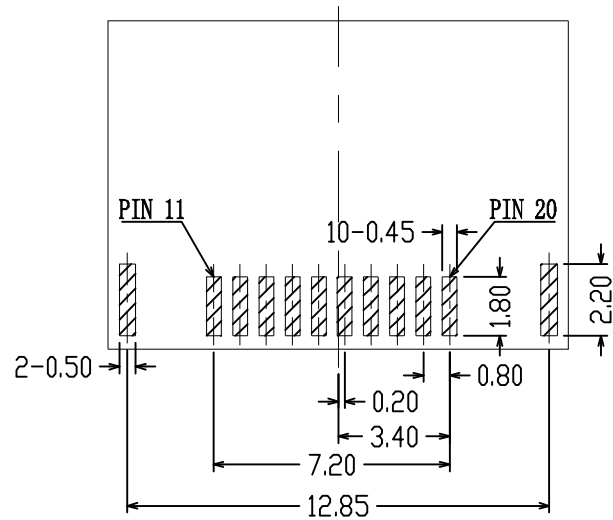


**ROHS**



APPROVALS		DATE	http://www.dongdudz.com	
DRAW:	ZRD	2017-12-6	TOLERANCE:	ANGLE:
CHECKED:	***	****	30°	±0.30
APPOVALS:	***	****	10°30'	±0.20
			5°10'	±0.15
			≤5	±0.10
			±2°	
				 <b>东都电子</b> DONGDU ELECTRONICS
MODEL:	USB CONNECTOR			
PART NO:	USB 3.1-TYPE-E-20P-W			
UNIT :mm	SCALE: 1:1			
REV:	A	PAGE: 1/2		

# ROHS



### NOTES:

- IF emi shell solder lead is connected To the adjacent GND Pin viatrace, IT NEED TO BE LSOLATED BY SOLDER RESISAT.  
如果电磁干扰外壳焊线连接到邻接的接地引脚上, 需要用阻焊剂隔离

### Pin Map to support one Type-C port


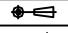
P11	P12	P13	P14	P15	P16	P17	P18	P19	P20
VBUS	TX2+	TX2-	GND	RX2+	RX2-	GND	D-	D+	CC2
SBU2	SBU1	CC1	VBUS	RX1-	RX1+	GND	TX1-	TX1+	VBUS
P10	P9	P8	P7	P6	P5	P4	P3	P2	P1

### Pin Map to support two Standard-A ports

P11	P12	P13	P14	P15	P16	P17	P18	P19	P20
VBUS			GND			GND	D-	D+	
			VBUS	RX1-	RX1+	GND	TX1-	TX1+	VBUS
P10	P9	P8	P7	P6	P5	P4	P3	P2	P1

### Material List:

4	CAP	1	LCP E130i+30%G/F	(UL94V-0) BLACK/WHITE
3	SHELL	1	SUS304-H T=0.15mm	镍底: 50u" min, 全雾锡: 80~200u"
2	CONTACTS	20	C5210-EH T=0.15mm	镍底: 50u" min, 焊接区镀雾锡: 80~200u" 接触区镀金: 详见备注
1	HOUSING	1	LCP E130i+30%G/F	(UL94V-0) BLACK/WHITE
No.	PART NAME	Q' TY	MATERIAL	REMARK

APPROVALS		DATE	http://www.dongdudz.com	
DRAW:	ZRD	2017-12-6	TOLERANCE:	ANGLE:
CHECKED:	***	****	30≥ ±0.30	±2°
APPOVALS:	***	****	10~30 ±0.20	
			5~10 ±0.15	
			≤5 ±0.10	
				 <b>® 东都电子</b> DONGDU ELECTRONICS
MODEL:		USB CONNECTOR		
PART NO:		USB 3.1-TYPE-E-20P-W		
UNIT :mm		SCALE:1:1		
REV:		A	PAGE:2/2	