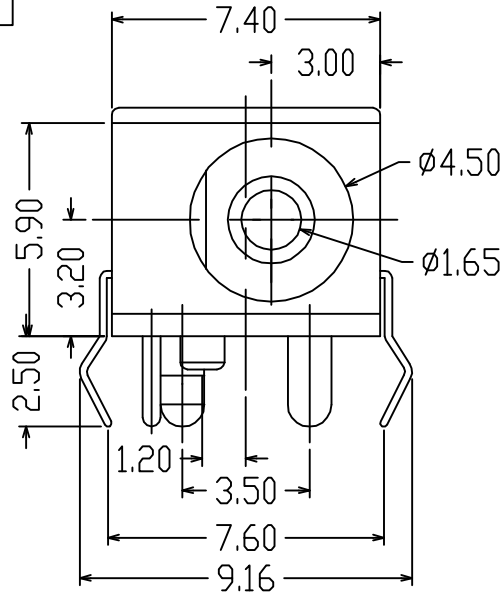
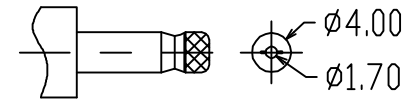
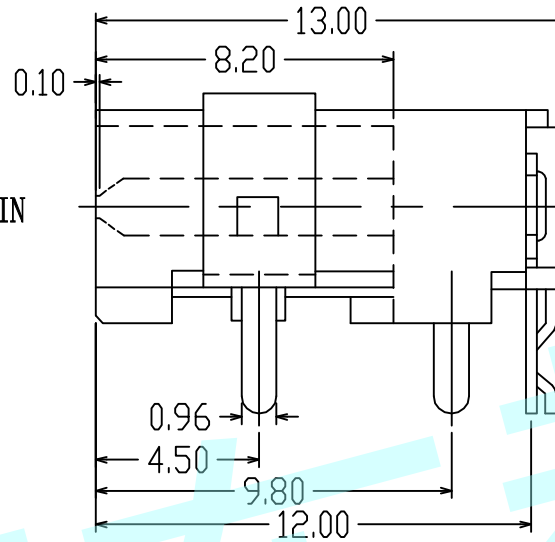


ROHS



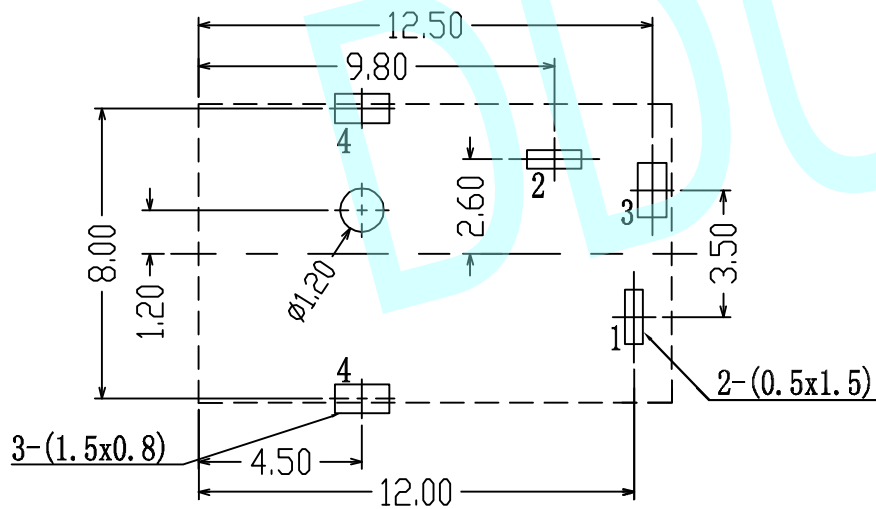
Center PIN



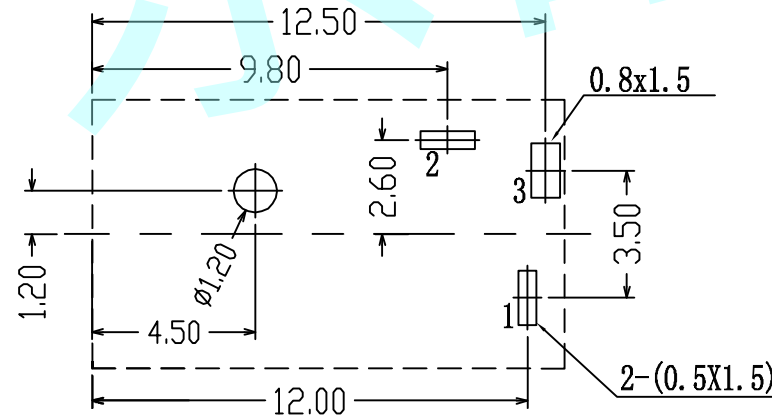
DC MATE PLUG

NOTES:

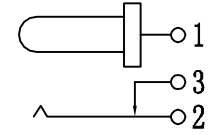
1. Rating: 0.5A 30V DC
2. Contact Resistance: 100mΩ Max
3. Operating temperature: -20°C~70°C
4. Operating force: 3-20N
5. Operating Life: 5,000cycles



PCB Layout (Copper-Side View)

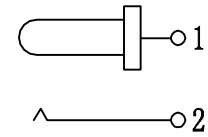


DC-030-A



CIRCUIT DIAGRAM

DC-030-B



CIRCUIT DIAGRAM

APPROVALS		DATE	http://www.dongdudz.com	
DRAW:	ZRD	2017-12-6	TOLERANCE:	ANGLE:
CHECKED:	***	***	30≥	±0.30
APPOVALS:	***	***	10~30	±0.20
			5~10	±0.15
			≤5	±0.10
			±2°	
				东都电子 DONGDU ELECTRONICS
MODEL:	DC POWER JACK			
PART NO:	DC-030			
UNIT :mm	SCALE:1:1			
REV:	A	PAGE:1/1		