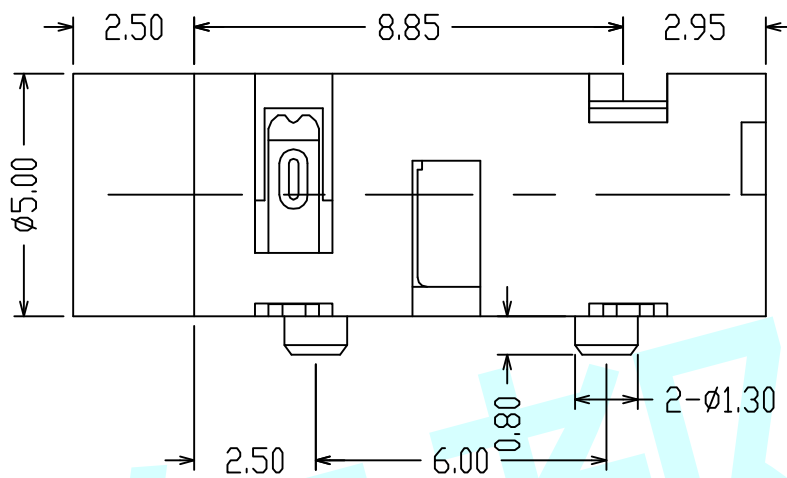
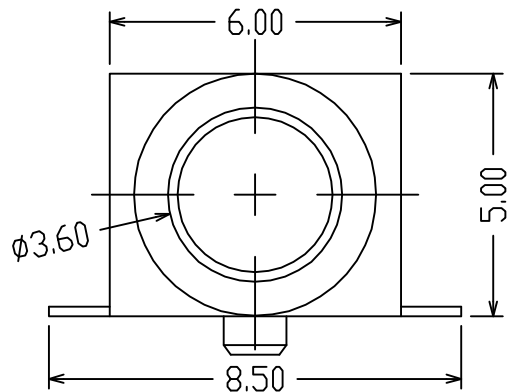
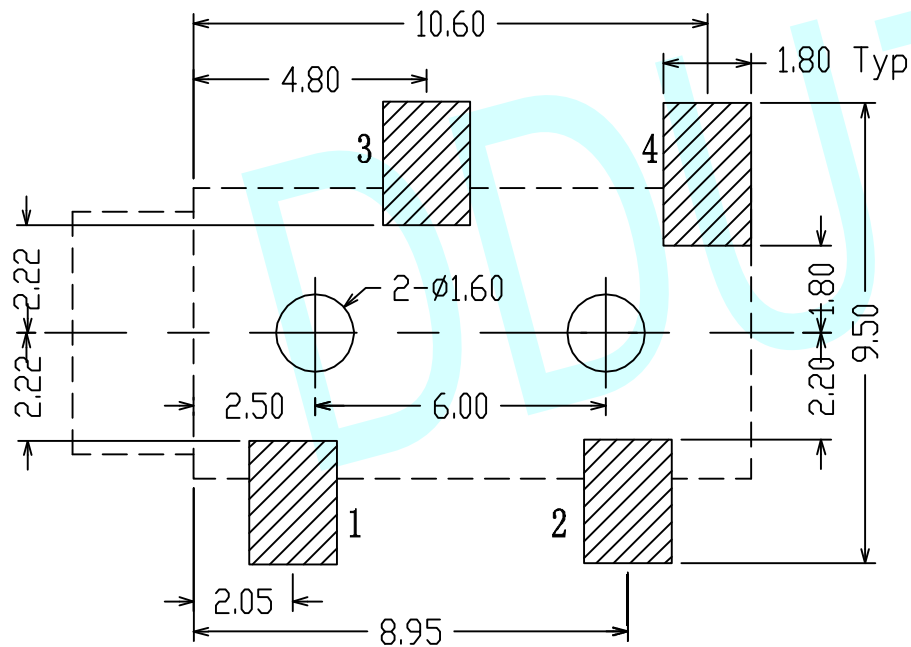


ROHS



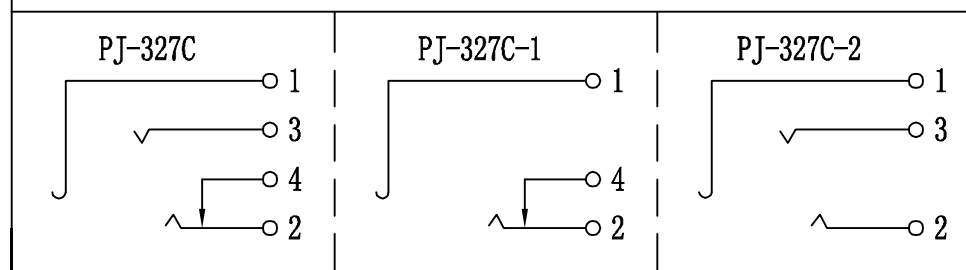
NOTE:


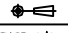
1. Rating: 0.5A 30V DC
2. Contact Resistance: 100mΩ Max
3. Operating Temperature: -20°C ~ 70°C
4. Operating Force: 3-20N
5. Operating Life: 5,000 Cycles



PCB Layout (Copper-Sided View)

Schematic



APPROVALS		DATE	http://www.dongdudz.com		 ® 东都电子 DONGDU ELECTRONICS	
DRAW:	ZRD	2017-12-6	TOLERANCE:	ANGLE:		
CHECKED:	***	****	30°	±0.30		±2°
APPROVALS:	***	****	10°30'	±0.20		
			5°10'	±0.15		
			≤5	±0.10	MODEL: PHONE JACKS PART NO: PJ-327C UNIT :mm SCALE: 1:1  REV: A PAGE: 1/1	