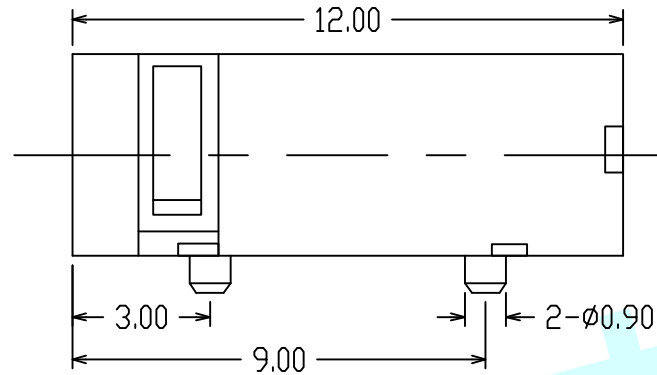
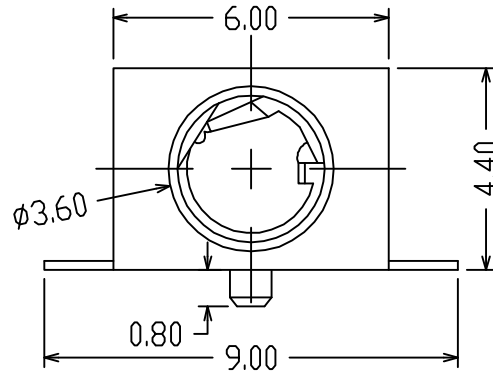
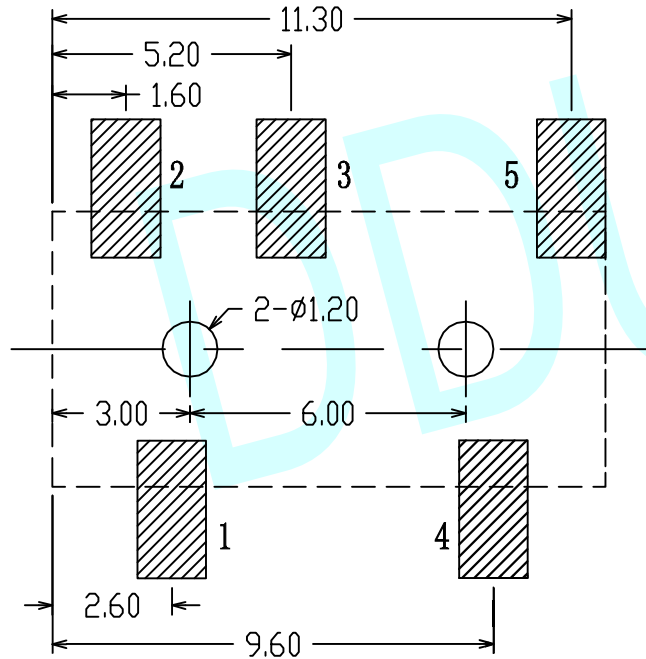


ROHS

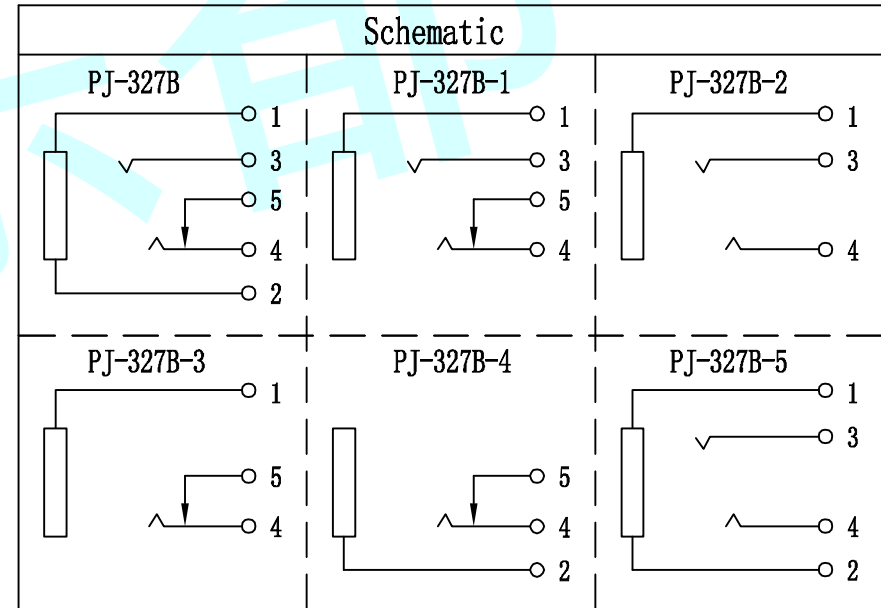




NOTE:

1. Rating: 0.5A 30V DC
2. Contact Resistance: 100mΩ Max
3. Operating Temperature: -20°C~70°C
4. Operating Force: 3-20N
5. Operating Life: 5,000 Cycles



PCB Layout (Top view)



APPROVALS		DATE	http://www.dongdudz.com	
DRAW:	ZRD	2017-12-6	TOLERANCE:	ANGLE:
CHECKED:	***	****	30° ≥ ±0.30	±2°
APPROVALS:	***	****	10°~30 ±0.20	
			5°~10 ±0.15	
			≤5 ±0.10	
 东都电子 DONGDU ELECTRONICS		MODEL:	PHONE JACKS	
		PART NO:	PJ-327B	
		UNIT :mm	SCALE: 1:1	
		REV:	A	PAGE: 1/1