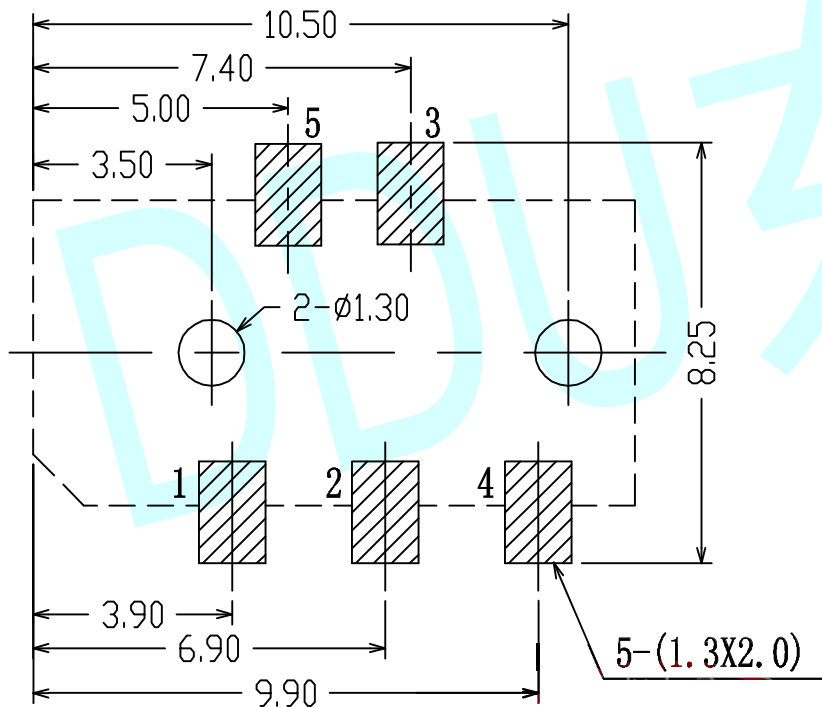
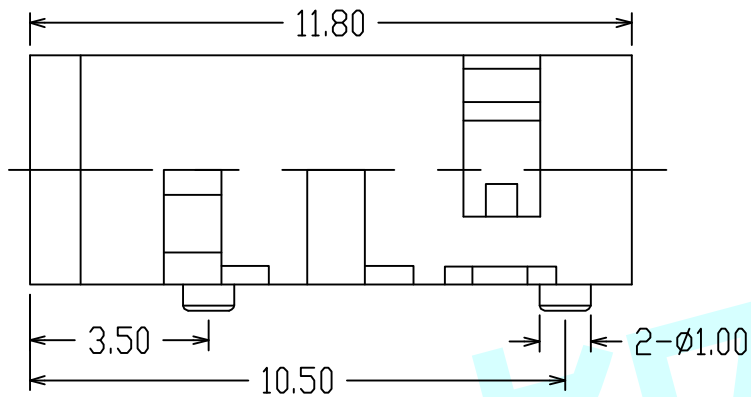
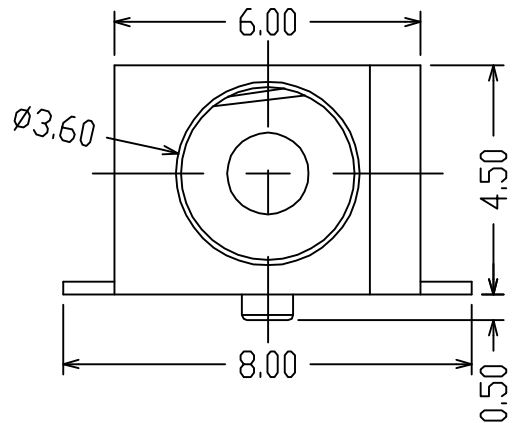


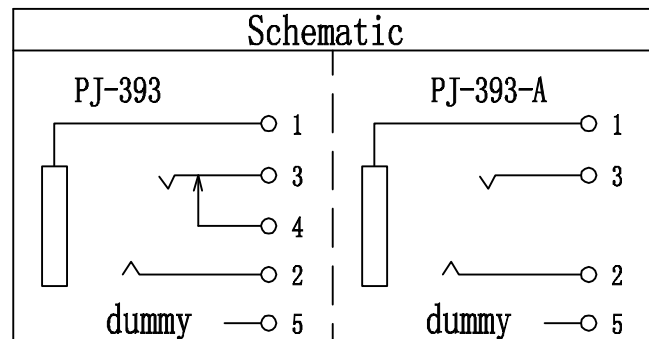
ROHS



PCB Layout (Top view)

NOTES:

1. Rating : DC 30V 0.5A
2. Contact resistance: 100mΩ
3. Operating Temperature: -20°C ~ 70°C
4. Operating Force: 3-20N.
5. life test: 5000 cycles



APPROVALS		DATE	http://www.dongdudz.com	
DRAW:	ZRD	2017-12-6	TOLERANCE:	ANGLE:
CHECKED:	***	****	30° ≥ ±0.30	±2°
APPROVALS:	***	****	10°~30 ±0.20	
			5°~10 ±0.15	
			≤5 ±0.10	
		® 东都电子		
DONGDU ELECTRONICS		PHONE JACKS		
MODEL:	PHONE JACKS			
PART NO:	PJ-393			
UNIT :mm	SCALE: 1:1			
REV:	A	PAGE: 1/1		