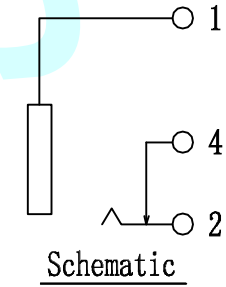
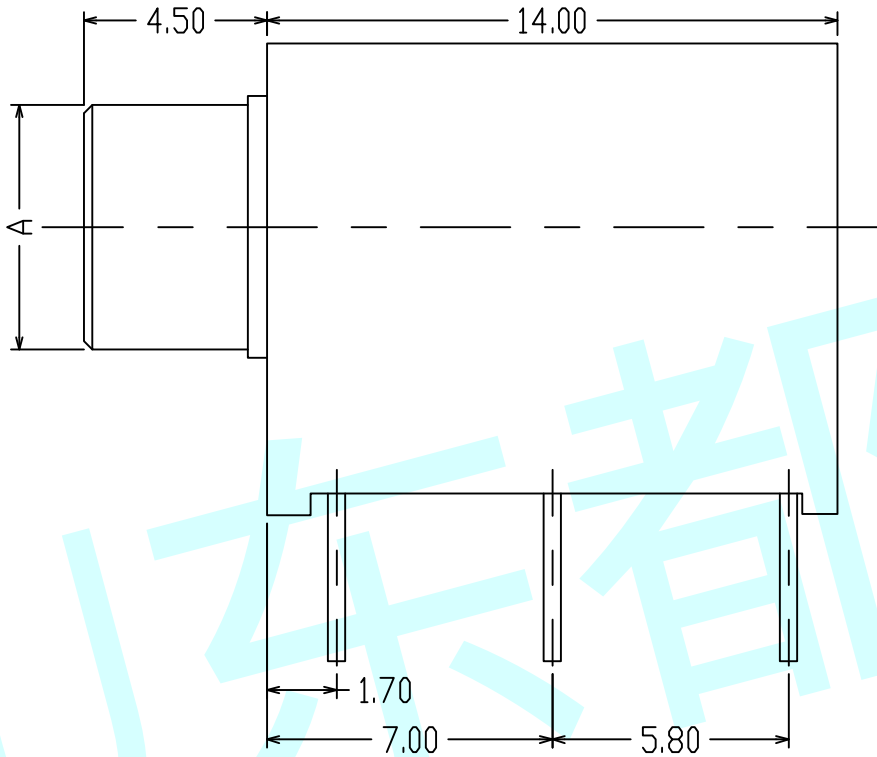
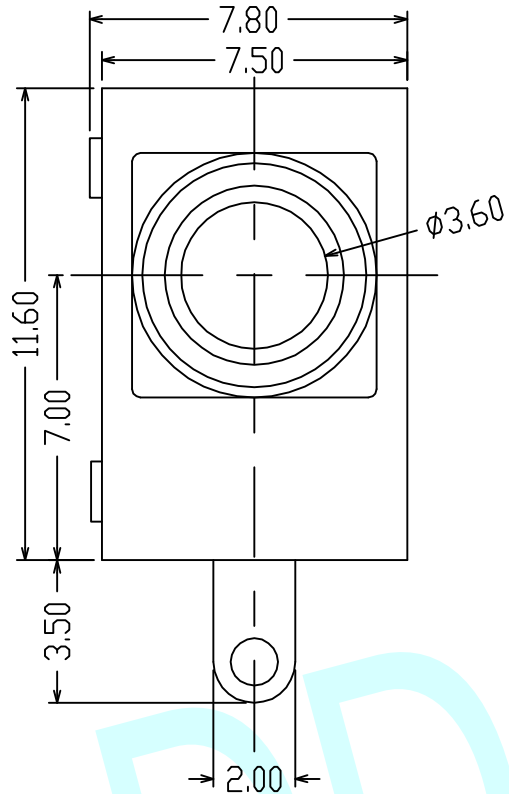
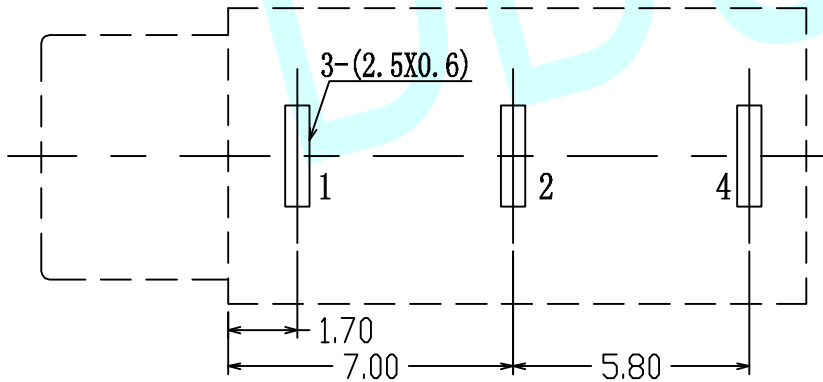


ROHS



- NOTES:
1. Rating :0.5A 30V DC
 2. Contact Resistance :100mΩ Max
 3. Operating Temperature:-20℃~+70℃
 4. Operating Force:3-20N
 5. Operating Life:5,000 Cycles



PCB Layout (Copper-Sided View)

		A	∅6.00	M6XP0.5
APPROVALS		DATE	http://www.dongdudz.com	
DRAW:	ZRD	2017-12-6	TOLERANCE:	ANGLE:
CHECKED:	***	****	30≥ ±0.30	±2°
APPOVALS:	***	****	10~30 ±0.20	
			5~10 ±0.15	
			≤5 ±0.10	
东都电子 DONGDU ELECTRONICS		MODL: PHONE JACKES PART NO: PJ-263 UNIT :mm SCALE:1:1 REV: A PAGE:1/1		