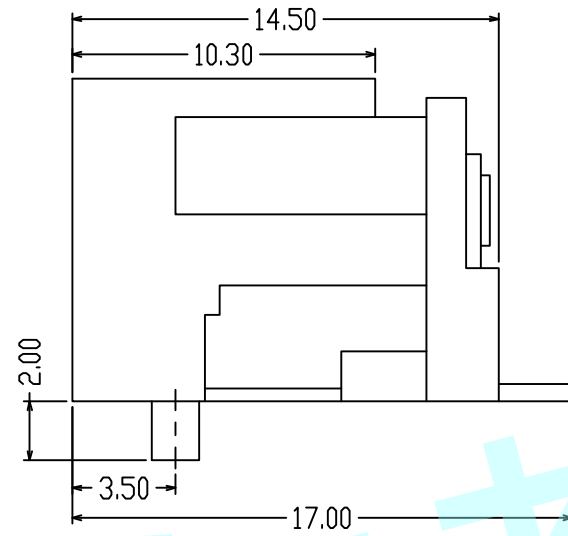
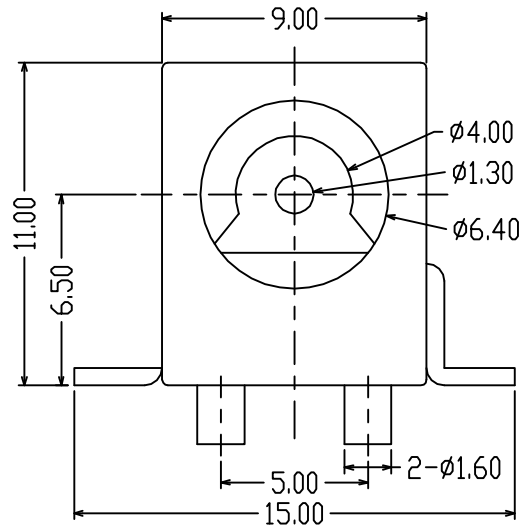
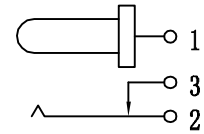


**ROHS**

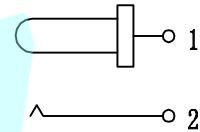


DC-088A

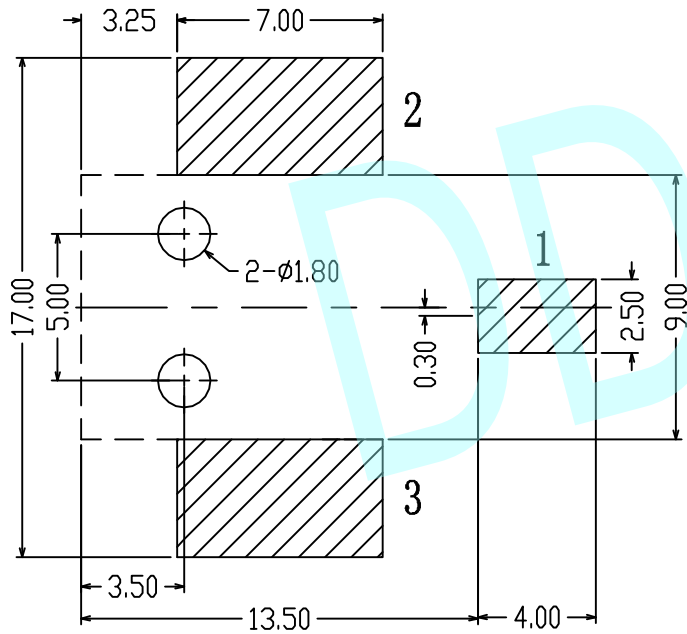


CIRCUIT DIAGRAM

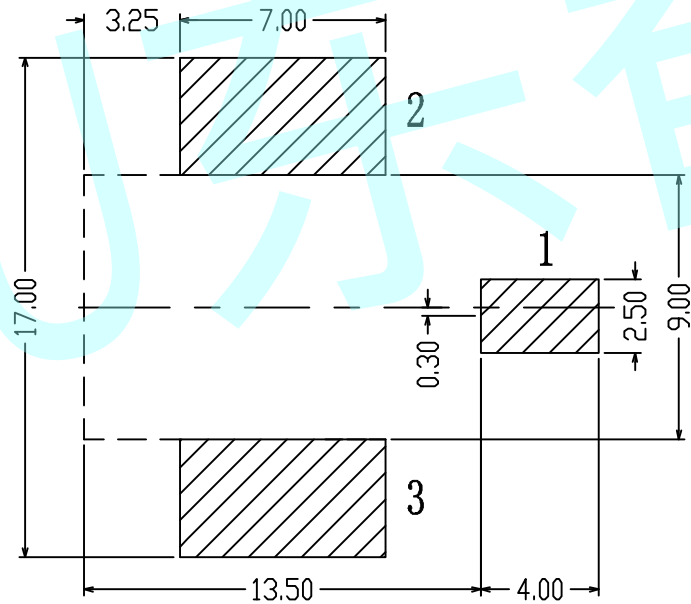
DC-088B



CIRCUIT DIAGRAM


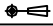


PCB LAYOUT (Copper-side view)



NOTES:

1. Rating: 0.5A 30V DC
2. Contact Resistance: 100mΩ Max
3. Operating temperature: -20°C~70°C
4. Operating force: 3-20N
5. Operating Life: 5,000 cycles

APPROVALS		DATE	http://www.dongdudz.com		 <b>东都电子</b> DONGDU ELECTRONICS
DRAW:	ZRD	2017-12-6	TOLERANCE:	ANGLE:	
CHECKED:	***	***	30°	±0.30	
APPOVALS:	***	***	10°30'	±0.20	
			5°10'	±0.15	
			≤5	±0.10	±2°
MODEL:	DC POWER JACK				
PART NO:	DC-088				
UNIT :mm	SCALE: 1:1				
REV:	A	PAGE: 1/1			