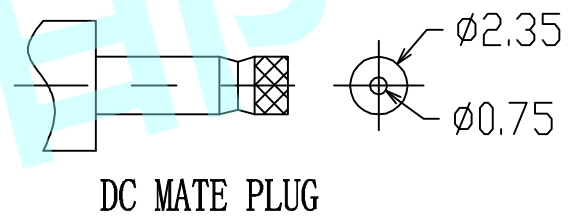
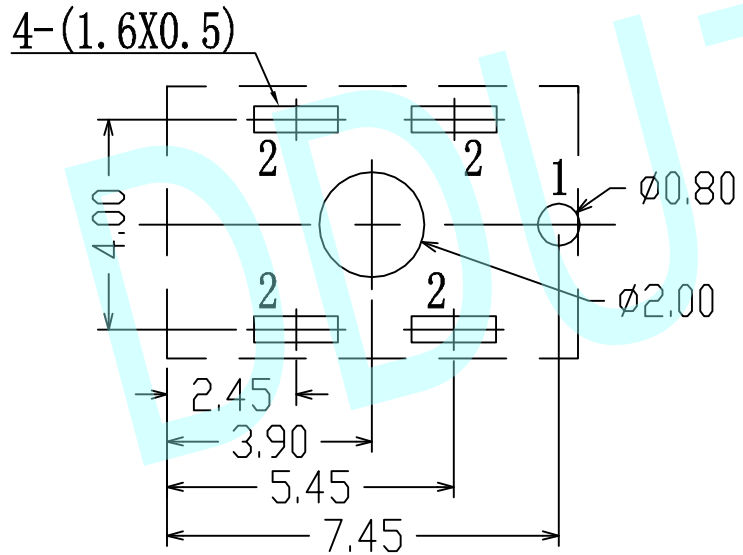
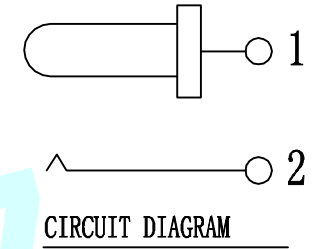
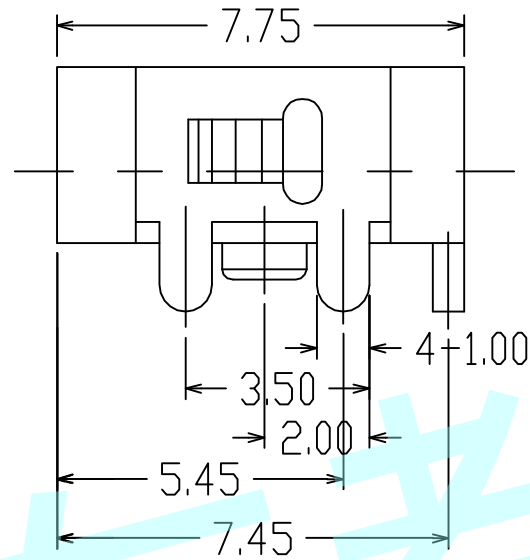
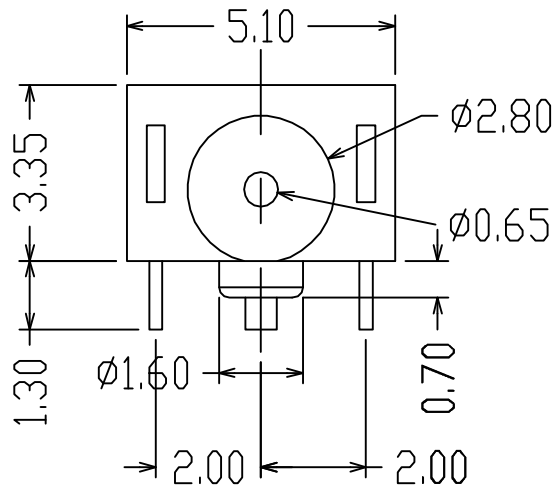



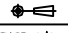
ROHS



NOTES:

1. Rating:0.5A 30V DC
2. Contact Resistance:100mΩ Max
3. Operating temperature:-20℃~70℃
4. Operating force:3-20N
5. Operating Life:5,000 cycles

PCB Layout (Copper-Side View)

APPROVALS		DATE	http://www.dongdudz.com		 ® 东都电子 DONGDU ELECTRONICS	
DRAW:	ZRD	2017-12-6	TOLERANCE:	ANGLE:		
CHECKED:	***	***	30≥	±0.30		±2°
APPOVALS:	***	***	10~30	±0.20		
			5~10	±0.15		
			≤5	±0.10	MODEL: DC POWER JACK PART NO: DC-062D UNIT :mm SCALE:1:1  REV: A PAGE:1/1	