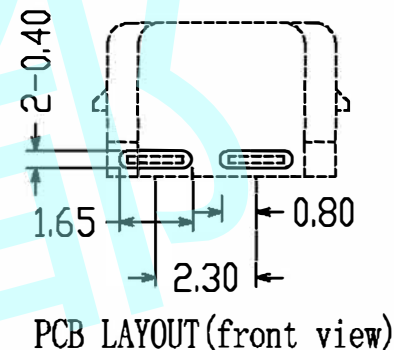
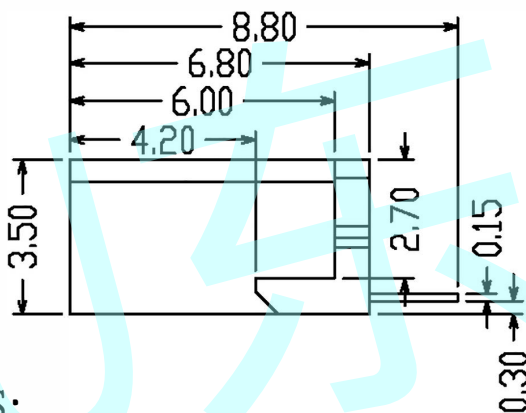
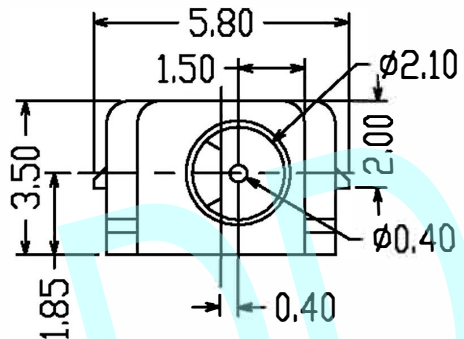
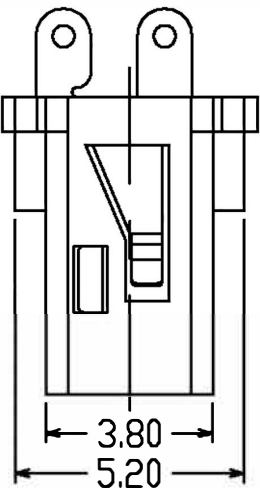
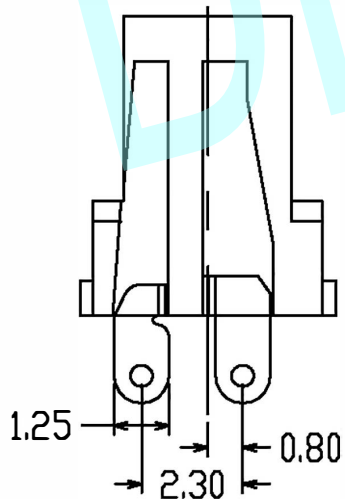


ROHS




PCB LAYOUT(front view)



NOTES:

1. Rating:0.5A 30V DC
2. Contact Resistance:100mΩ Max
3. Operating temperature:-20℃~70℃
4. Operating force:3-20N
5. Operating Life:5,000 cycles

APPROVALS		DATE	http://www.dongdudz.com	
DRAW:	ZRD	2017-12-6	TOLERANCE:	ANGLE:
CHECKED:	***	***	30° ≥ ±0.30	±2°
APPOVALS:	***	***	10°~30 ±0.20	
			5°~10 ±0.15	
			≤5 ±0.10	
		 东都电子 DONGDU ELECTRONICS		MODEL: DC POWER JACK PART NO: DC-060A UNIT :mm SCALE:1:1 REV: A PAGE:1/1