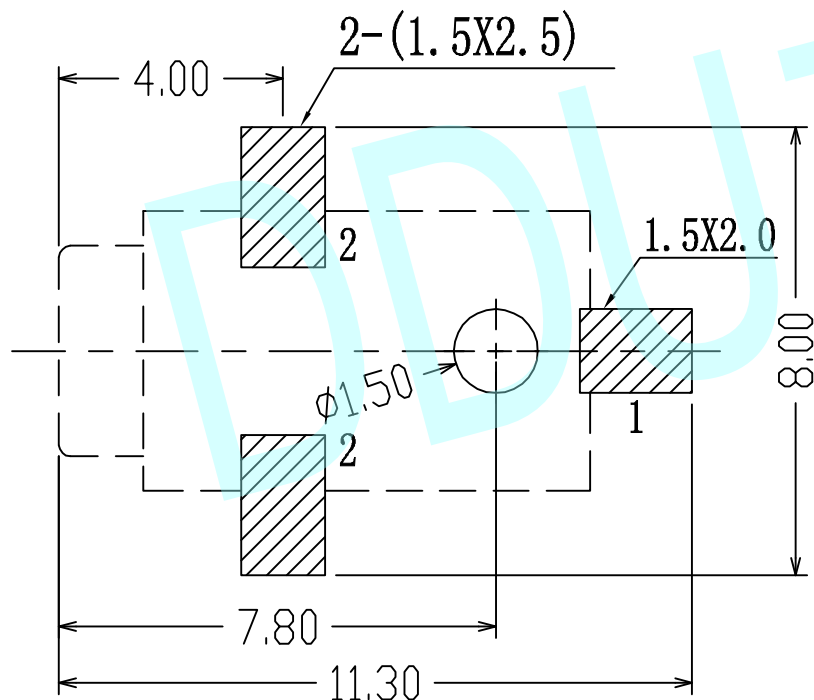
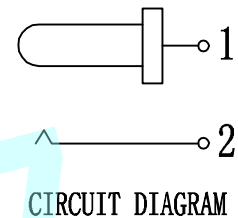
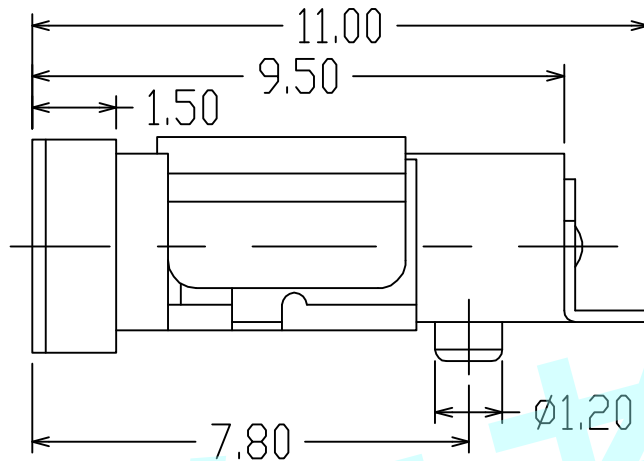
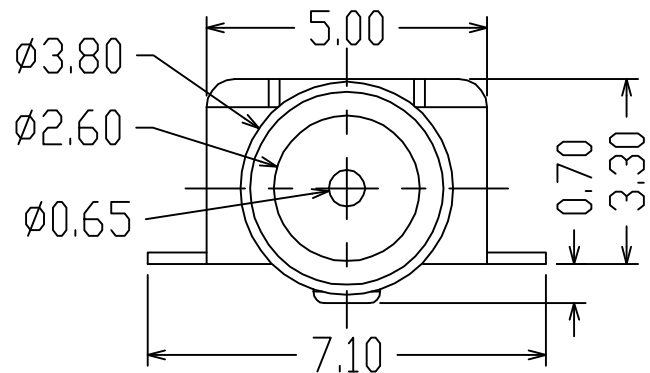




ROHS



PCB Layout Top View

NOTES:

1. Rating: 0.5A 30V DC
2. Contact Resistance: 100mΩ Max
3. Operating temperature: -20°C ~ 70°C
4. Operating force: 3-20N
5. Operating Life: 5,000 cycles

APPROVALS		DATE	http://www.dongdudz.com		 东都电子 DONGDU ELECTRONICS
DRAW:	ZRD	2017-12-6	TOLERANCE:	ANGLE:	
CHECKED:	***	***	30° ≥ ±0.30	±2°	
APPOVALS:	***	***	10°~30 ±0.20		
			5°~10 ±0.15		
			≤5 ±0.10		
MODEL:	DC POWER JACK		UNIT :mm	SCALE: 1:1	
PART NO:	DC-061		REV:	A	PAGE: 1/1