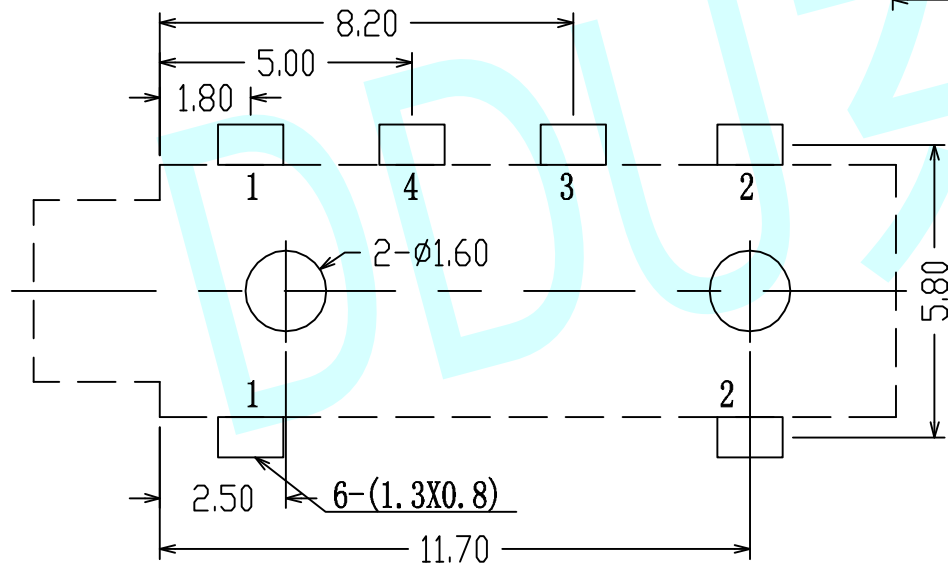
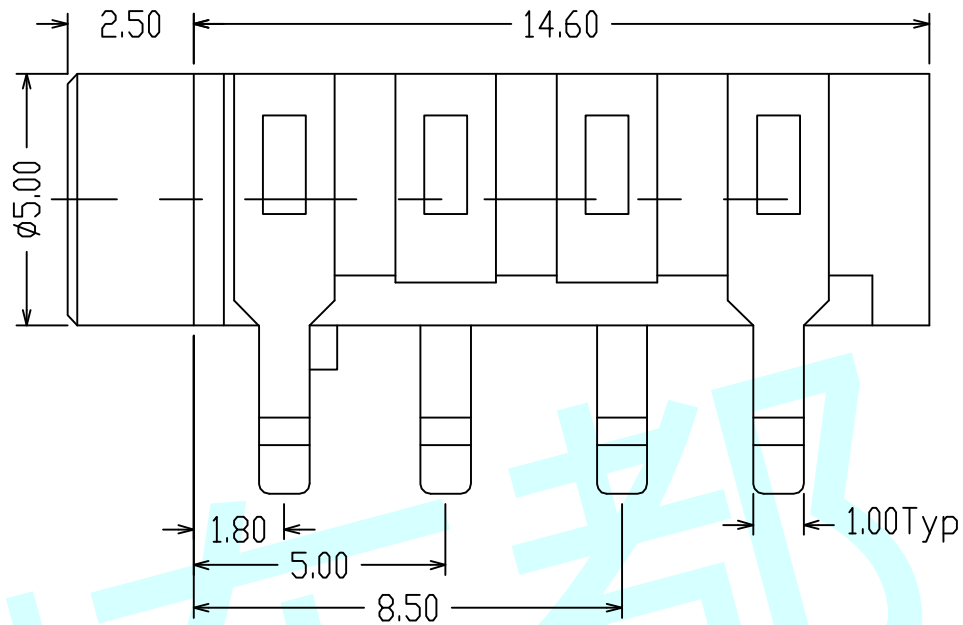
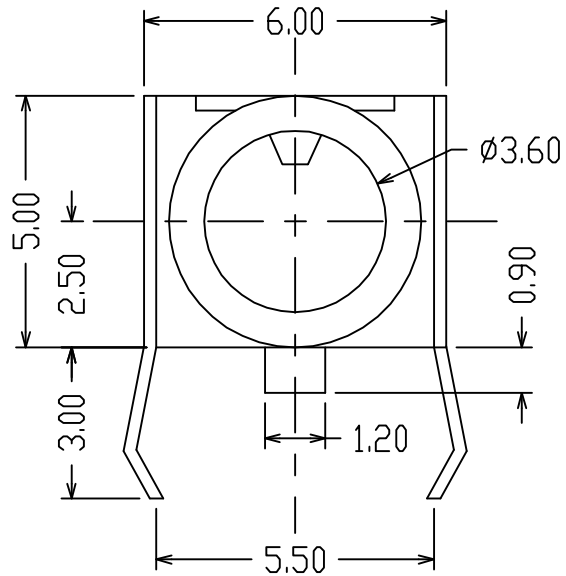


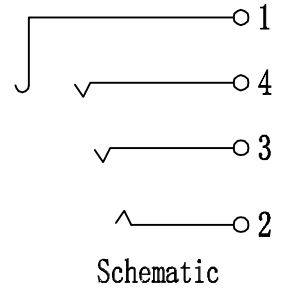
**ROHS**


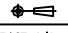


PCB Layout (Copper-Sided View)

**NOTES:**

1. Rating :0.5A 30V DC
2. Contact Resistance :100mΩ Max
3. Operating Temperature:-20℃~+70℃
4. Operating Force:3-20N
5. Operating Life:5,000 Cycles



APPROVALS		DATE	http://www.dongdudz.com	
DRAW:	ZRD	2017-12-6	TOLERANCE:	ANGLE:
CHECKED:	***	****	30° ≥ ±0.30	±2°
APPOVALS:	***	****	10°~30 ±0.20	
			5°~10 ±0.15	
			≤5 ±0.10	
MODBL:		PHONE JACKES		 <b>® 东都电子</b> DONGDU ELECTRONICS
PART NO:		PJ-230		
UNIT :mm	SCALE:1:1			
REV:	A	PAGE:1/1		