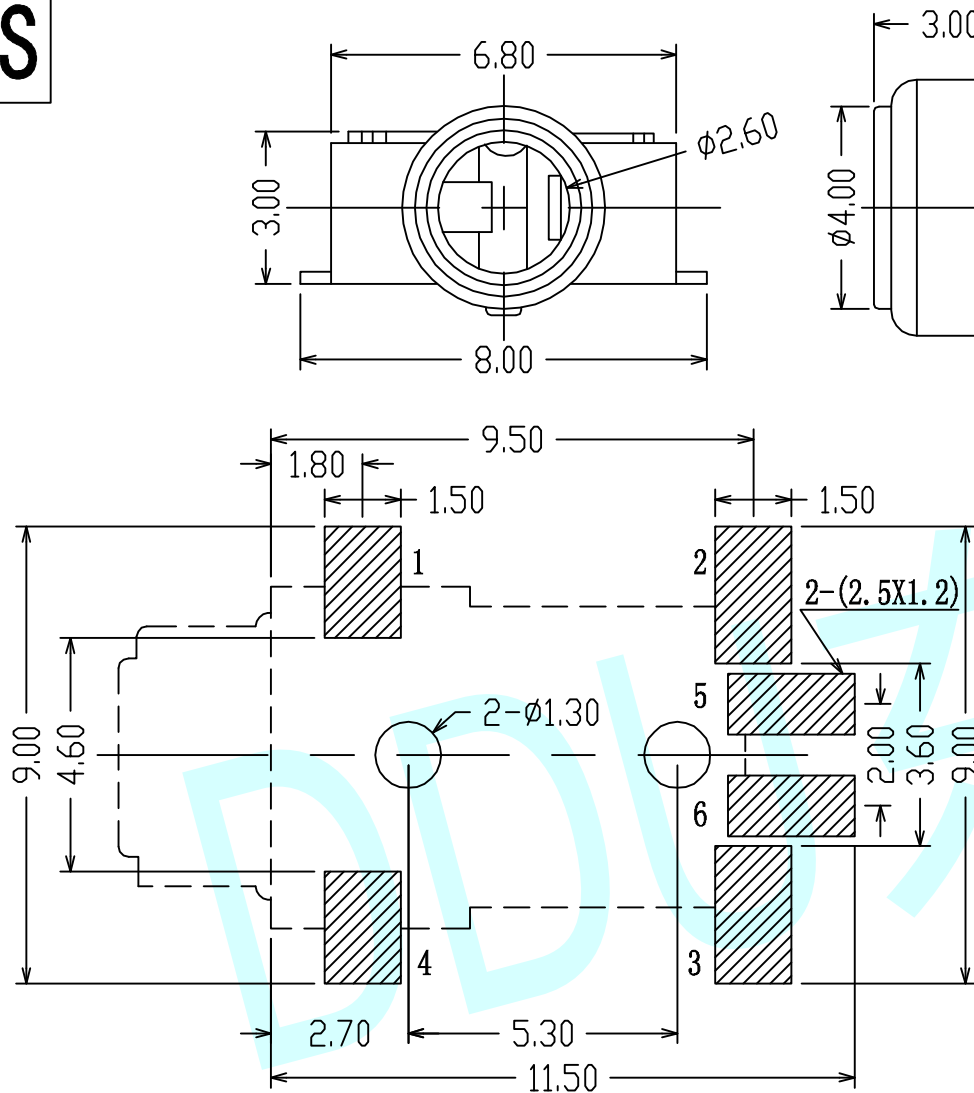
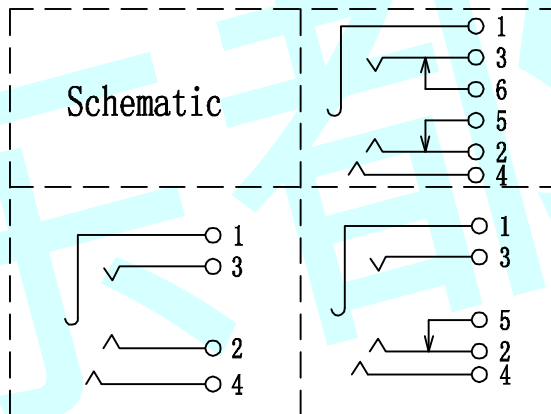
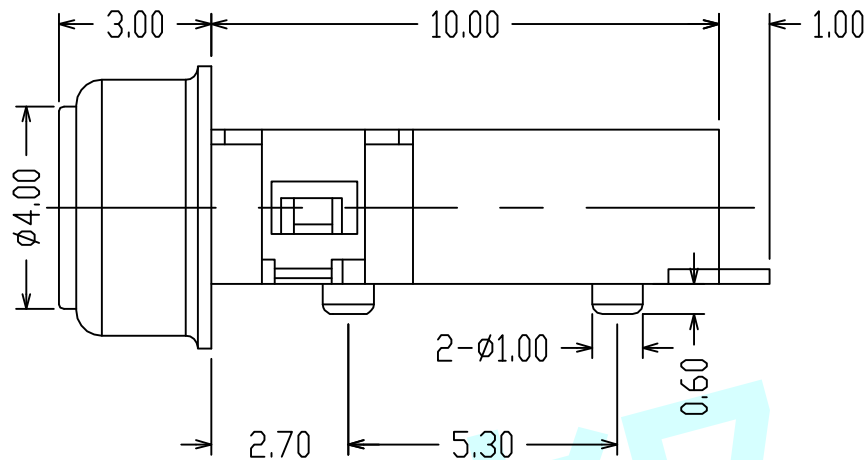


ROHS


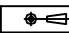


PCB Layout (Copper-Sided View)



NOTES:

1. Rating :0.5A 30V DC
2. Contact Resistance :100mΩ Max
3. Operating Temperature:-20°C~+70°C
4. Operating Force:3-20N
5. Operating Life:5,000 Cycles

APPROVALS		DATE	http://www.dongdudz.com	
DRAW:	ZRD	2017-12-6	TOLERANCE:	ANGLE:
CHECKED:	***	****	30≥ ±0.30	±2°
APPOVALS:	***	****	10~30 ±0.20	
			5~10 ±0.15	
			≤5 ±0.10	
			 ® 东都电子 DONGDU ELECTRONICS	
MODEL:		PHONE JACKS		
PART NO:		PJ-231B		
UNIT :mm	SCALE:1:1			
REV:	A	PAGE:1/1		