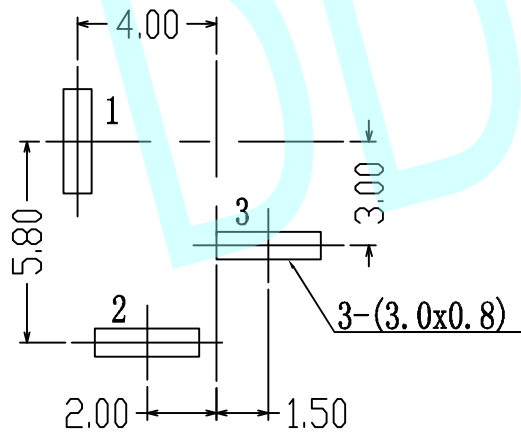
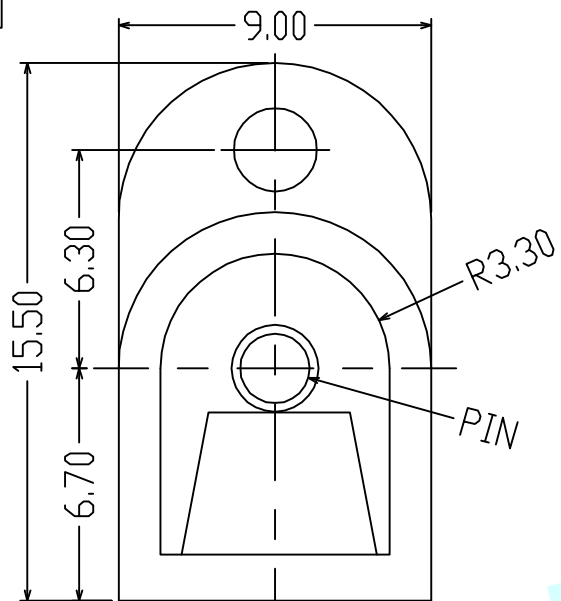
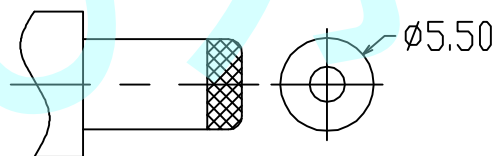
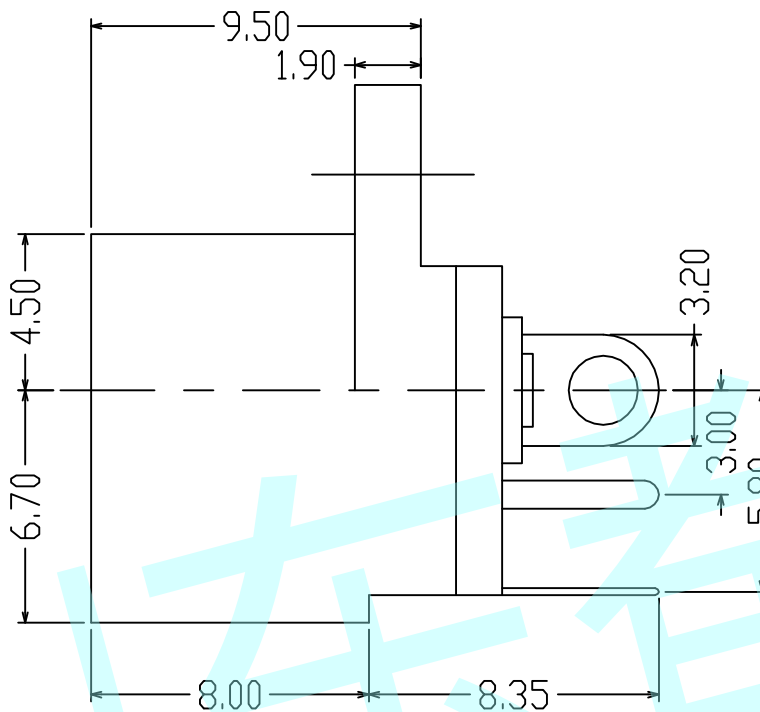


ROHS

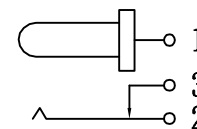


PCB Layout Top View



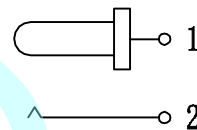
DC MATE PLUG

DC-016-A



CIRCUIT DIAGRAM



DC-016-B



CIRCUIT DIAGRAM

NOTES:

1. Rating:0.5A 30V DC
2. Contact Resistance:100mΩ Max
3. Operating temperature:-20℃~70℃
4. Operating force:3-20N
5. Operating Life:5,000cycles

		PIN	∅2.00	∅2.35	∅2.50
APPROVALS		DATE			
DRAW: ZRD		2017-12-6			
CHECKED: ***		***			
APPOVALS: ***		***			
		http://www.dongdudz.com		TOLERANCE:	
		30≥ ±0.30		ANGLE:	
		10~30 ±0.20		±2°	
		5~10 ±0.15			
		≤5 ±0.10			
		 东都电子 DONGDU ELECTRONICS			
MODEL:		DC POWER JACK			
PART NO:		DC-016A			
UNIT :mm		SCALE:1:1			
REV:		A		PAGE:1/1	