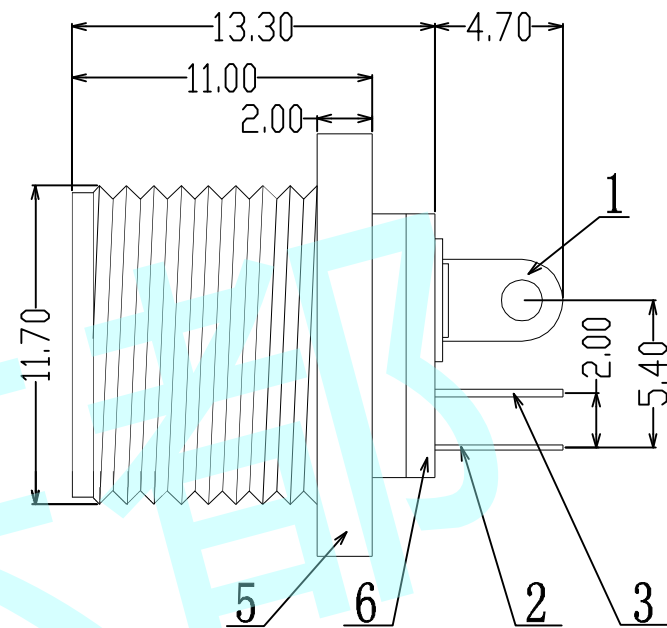
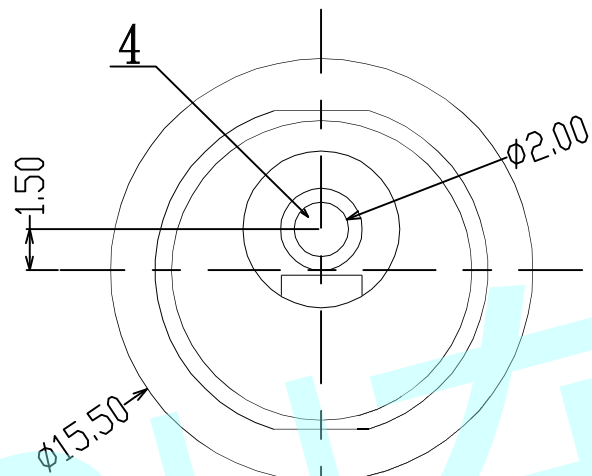
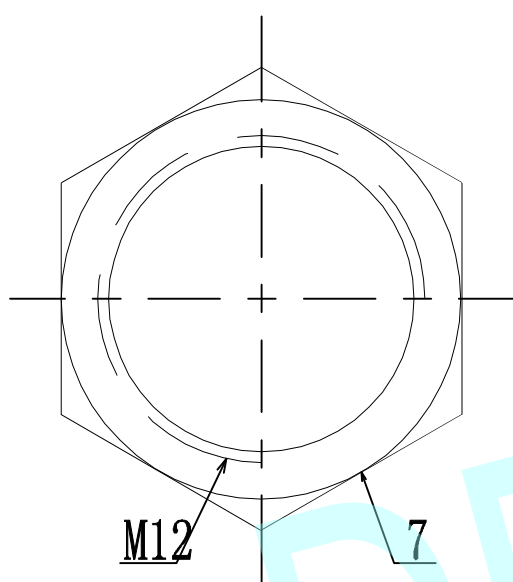
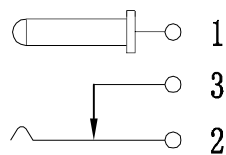


ROHS




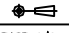
NOTES:

1. Service temperature: $-40^{\circ}\text{C} \sim +55^{\circ}\text{C}$
2. Rated load: DC 30V 0.5A
3. Contact resistance: $\leq 30\text{m}\Omega$
4. Insulation resistance: $\geq 100\text{M}\Omega$ DC 250V
5. Withstand voltage: AC 500V(50Hz)/minute
6. Plugging force: $2 \sim 20\text{N}$
7. Mechanical life: 5000 cycles



SCHMATIC

7	Thread	1		Ni plating
6	COVER	1	Phenolic paperboard T=1.6	YELLOW
5	BASE	1	PA66	BLACK
4	TERMINAL	1	H59-1 $\phi 2.00$	Sn plating
3	Fixed contact piece	1	H62 T=0.30	
2	Movable contact piece	1	65Mn T=0.20	
1	TERMINAL	1	H62 T=0.30	
NO.	PART NAME	Q'TY	MATERIAL	FINISH

APPROVALS		DATE	http://www.dongdudz.com	
DRAW:	ZRD	2017-12-6	TOLERANCE:	ANGLE:
CHECKED:	***	***	30 \geq	$\pm 2^{\circ}$
APPOVALS:	***	***	10 \sim 30	
			5 \sim 10	
			≤ 5	
			 东都电子 DONGDU ELECTRONICS	
MODEL:		DC POWER JACK		
PART NO:		DC-021		
UNIT :mm	SCALE:1:1			
REV:	A	PAGE:1/1		