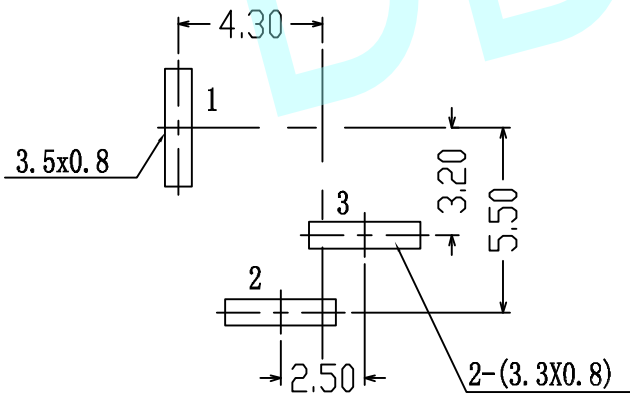
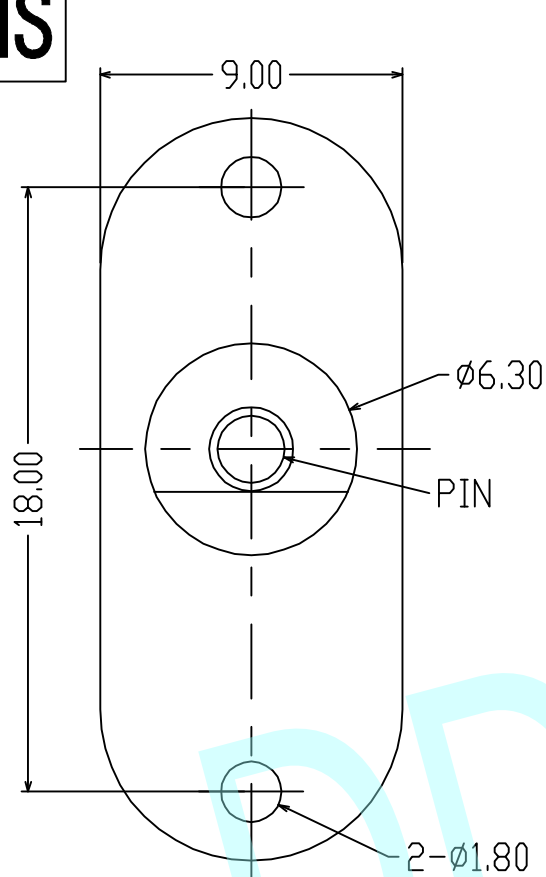
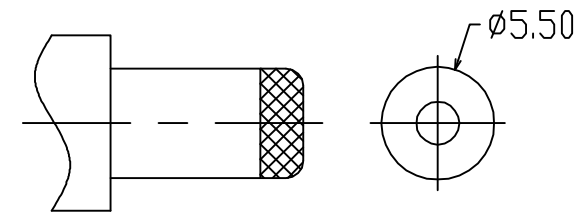
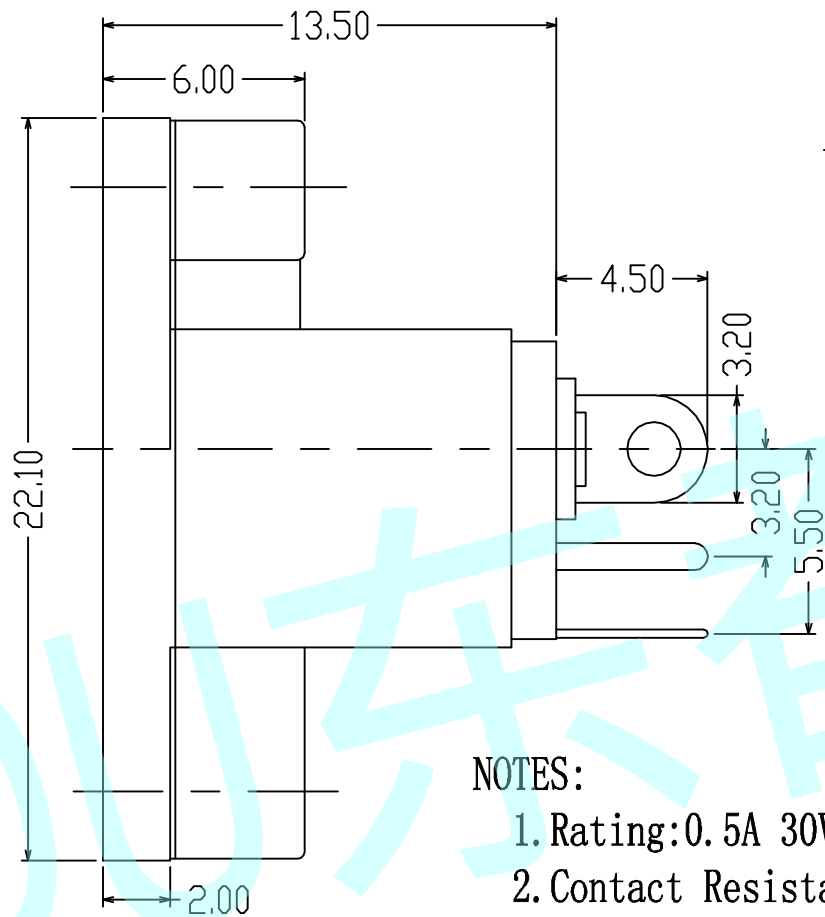


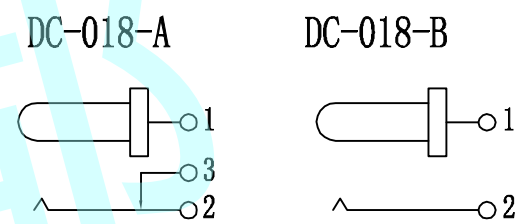
**ROHS**



PCB Layout Top View



DC MATE PLUG



CIRCUIT DIAGRAM

**NOTES:**

1. Rating: 0.5A 30V DC
2. Contact Resistance: 100mΩ Max
3. Operating temperature: -20°C ~ 70°C
4. Operating force: 3-20N
5. Operating Life: 5,000cycles

		PIN	Ø2.00	Ø2.35	Ø2.50
APPROVALS		DATE	http://www.dongdudz.com		
DRAW:	ZRD	2017-12-6	TOLERANCE:	ANGLE:	
CHECKED:	***	***	30≥	±0.30	±2°
APPOVALS:	***	***	10~30	±0.20	
			5~10	±0.15	
			≤5	±0.10	
		东都电子 DONGDU ELECTRONICS		MODEL: DC POWER JACK PART NO: DC-018 UNIT :mm SCALE:1:1	
				PAGE:1/1	