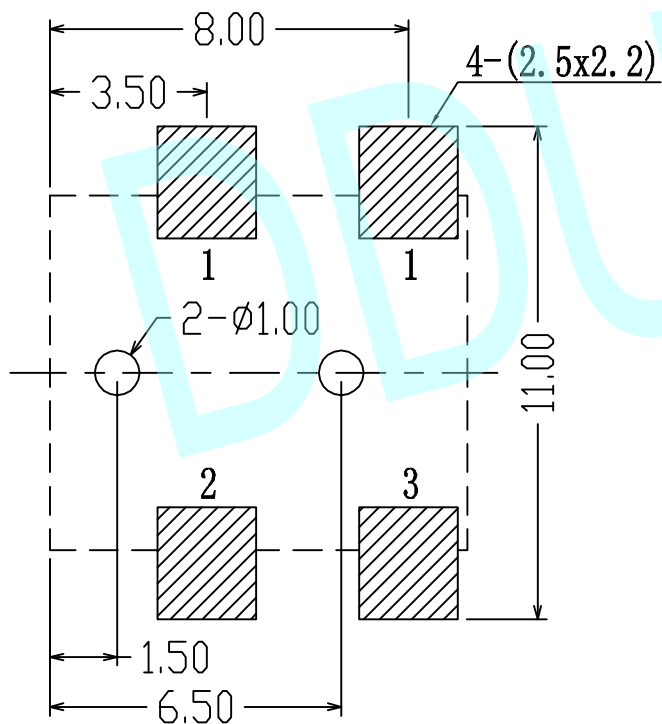
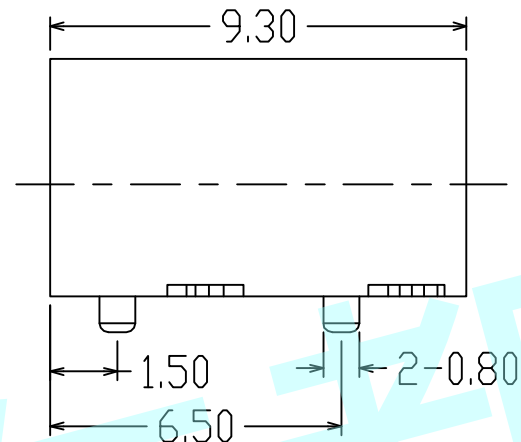
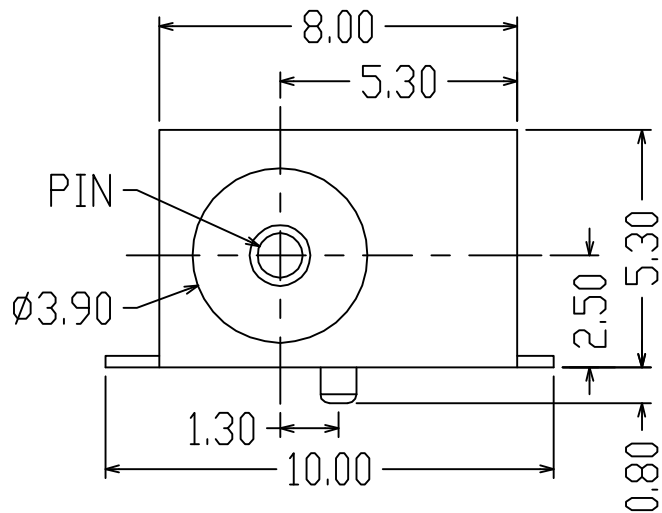


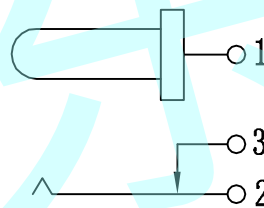
ROHS



PCB Layout Top View

NOTES:

1. Rating: 0.5A 30V DC
2. Contact Resistance: 100mΩ Max
3. Operating temperature: -20°C~70°C
4. Operating force: 3-20N
5. Operating Life: 5,000 cycles



CIRCUIT DIAGRAM

APPROVALS		DATE	http://www.dongdudz.com		PIN		Ø1.00	Ø1.30	Ø1.65
DRAW:	ZRD	2017-12-6	TOLERANCE:	ANGLE:	±2°				
CHECKED:	***	***	30≥	±0.30					
APPOVALS:	***	***	10~30	±0.20					
			5~10	±0.15					
			≤5	±0.10					



MODEL:	DC POWER JACK	
PART NO:	DC-033	
UNIT :mm	SCALE:1:1	☞
REV:	A	PAGE:1/1