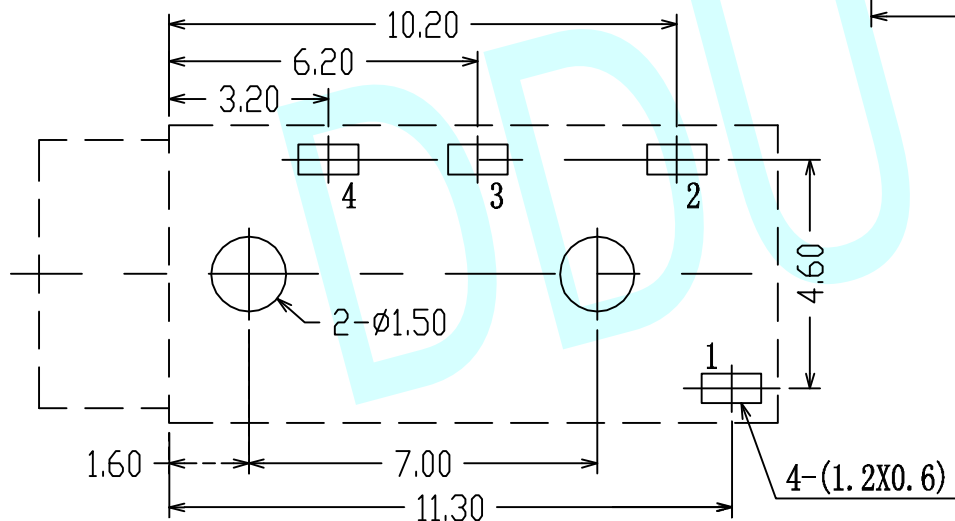
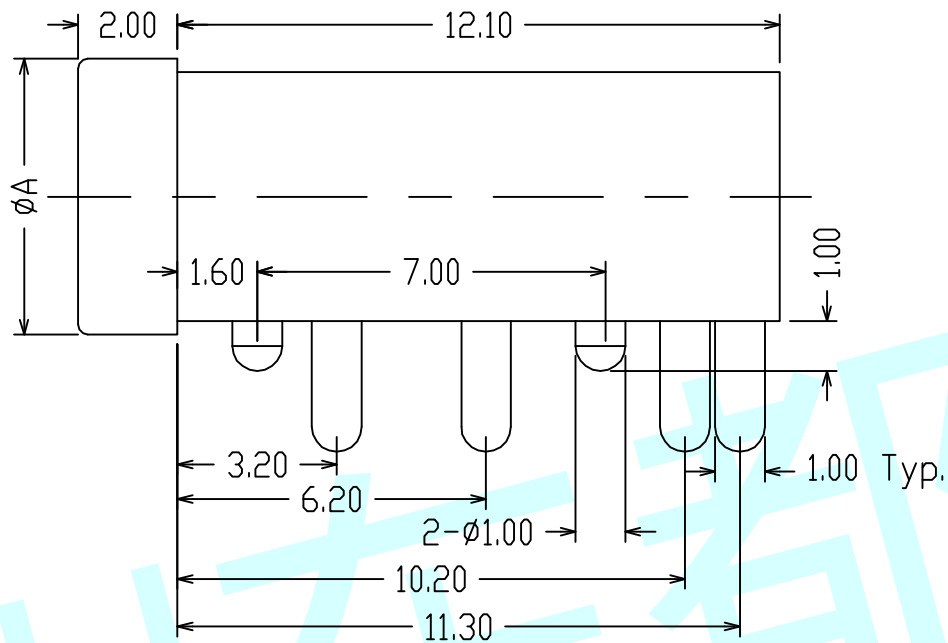
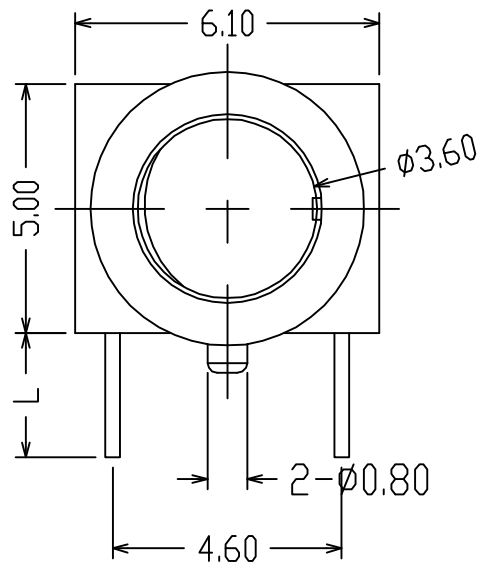


ROHS



PCB Layout (Copper-Sided View)

NOTES:

1. Rating :0.5A 30V DC
2. Contact Resistance :100mΩ Max
3. Operating Temperature:-20°C~+70°C
4. Operating Force:3-20N
5. Operating Life:5,000 Cycles

| Schematic | | | |
|-----------|------|----------|------|
| PJ-259 | | PJ-259-A | |
| | | | |
| L | 1.80 | 3.00 | 3.00 |
| A | 5.60 | 5.00 | 5.60 |

| | | | | |
|-----------|-----|---------------------|-------------------------|-----------------------------------|
| APPROVALS | | DATE | http://www.dongdudz.com | |
| DRAW: | ZRD | 2017-12-6 | TOLERANCE: | ANGLE: |
| CHECKED: | *** | **** | 30° ≥ ±0.30 | ±2° |
| APPOVALS: | *** | **** | 10°~30 ±0.20 | |
| | | | 5°~10 ±0.15 | |
| | | | ≤5 ±0.10 | |
| | | | | 东都电子 DONGDU ELECTRONICS |
| | | MODEL: PHONE JACKES | | |
| | | PART NO: PJ-259 | | |
| | | UNIT :mm SCALE:1:1 | | |
| | | REV: A | | PAGE:1/1 |