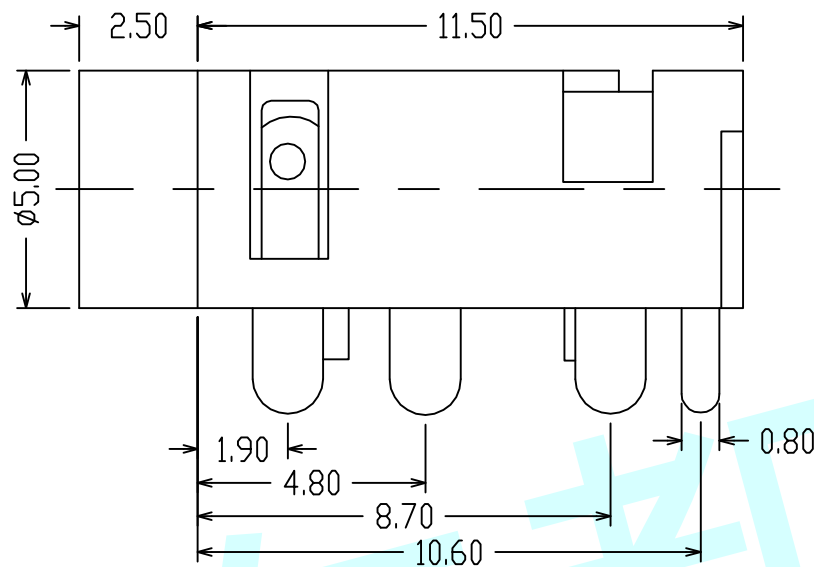
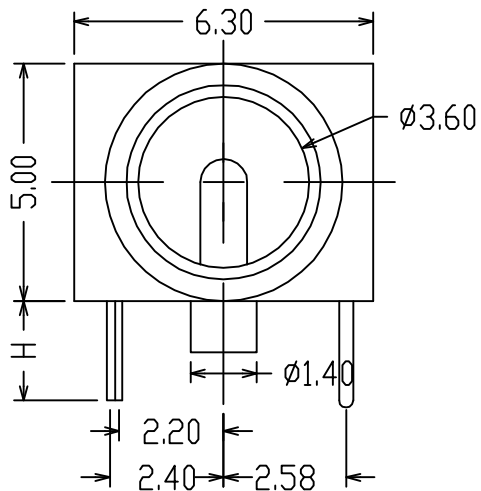
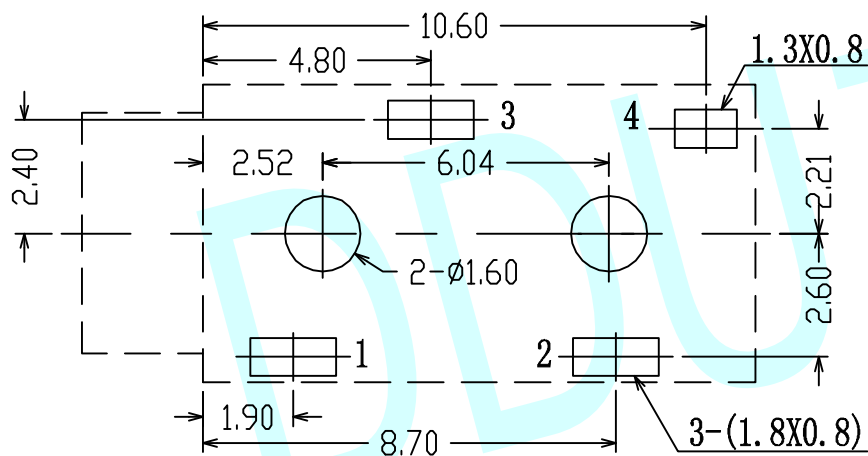


ROHS

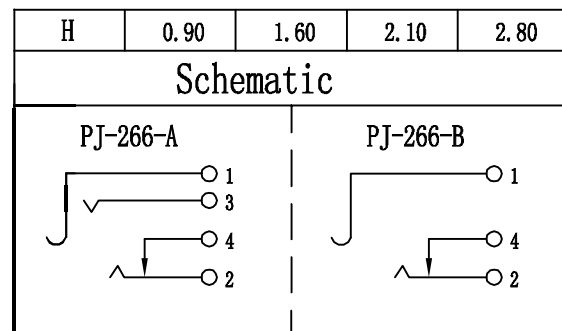


PCB Layout (Copper-Sided View)



NOTE:

1. Rating: 0.5A 30V DC
2. Contact Resistance: 100mΩ Max
3. Operating Temperature: -20°C ~ 70°C
4. Operating Force: 3-20N
5. Operating Life: 5,000 Cycles



APPROVALS		DATE	http://www.dongdudz.com	
DRAW:	ZRD	2017-12-6	TOLERANCE:	ANGLE:
CHECKED:	***	****	30≥	±0.30
			10°30	±0.20
			5°10	±0.15
APPOVALS:	***	****	≤5	±0.10

东都电子	
DONGDU ELECTRONICS	
MODEL:	PHONE JACKS
PART NO:	PJ-266
UNIT :mm	SCALE: 1:1
REV:	A
	PAGE: 1/1