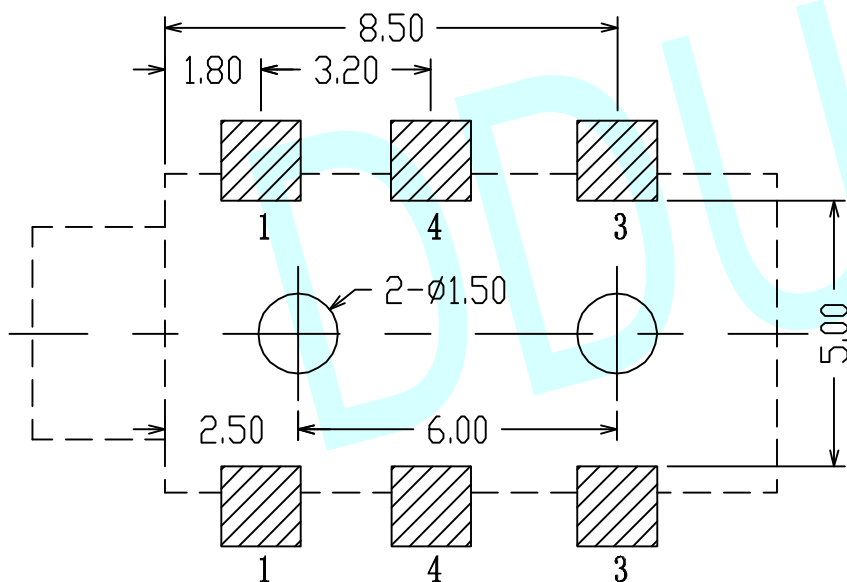
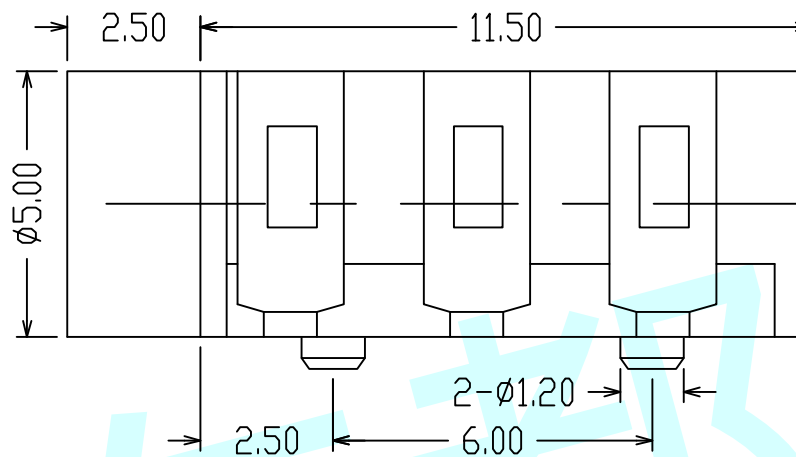
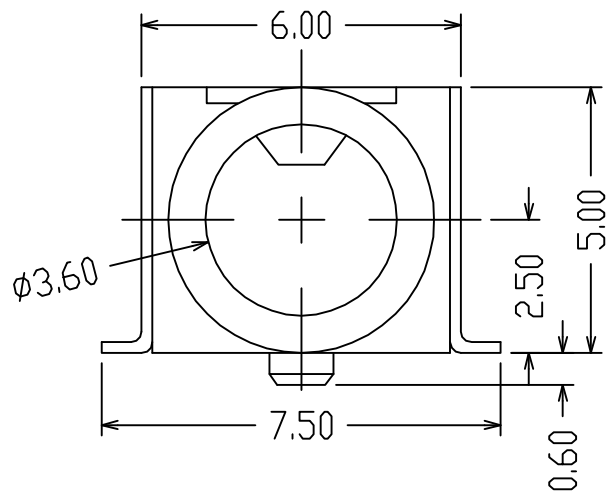
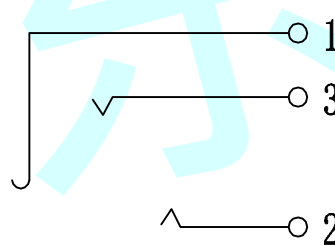


ROHS




PCB Layout (Copper-Sided View)



Schematic

NOTE:

1. Rating: 0.5A 30V DC
2. Contact Resistance: 100mΩ Max
3. Operating Temperature: -20°C ~ 70°C
4. Operating Force: 3-20N
5. Operating Life: 5,000 Cycles

APPROVALS		DATE	http://www.dongdudz.com		 东都电子 DONGDU ELECTRONICS
DRAW:	ZRD	2017-12-6	TOLERANCE:	ANGLE:	
CHECKED:	***	****	30 [≥]	±2°	
APPOVALS:	***	****	10 [~] 30		
			5 [~] 10		
			≤5	±0.10	
MODEL:	PHONE JACKES				
PART NO:	PJ-313D				
UNIT :mm	SCALE: 1:1				
REV:	A				PAGE: 1/1