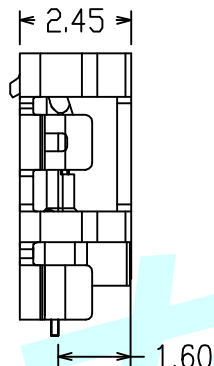
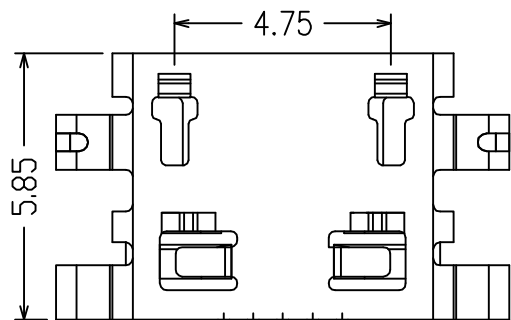
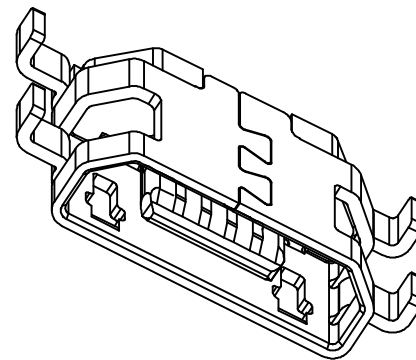
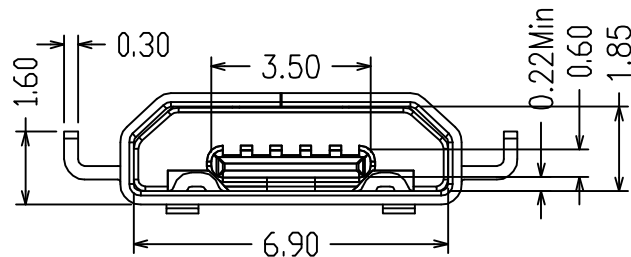
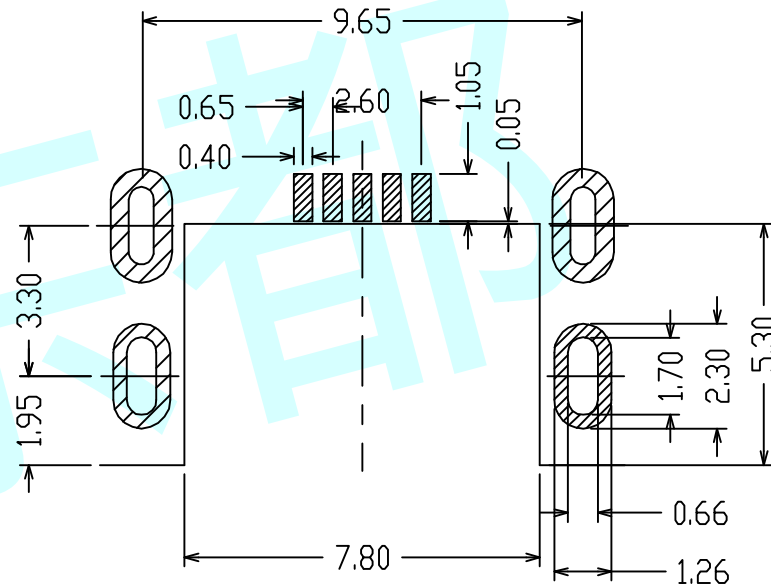
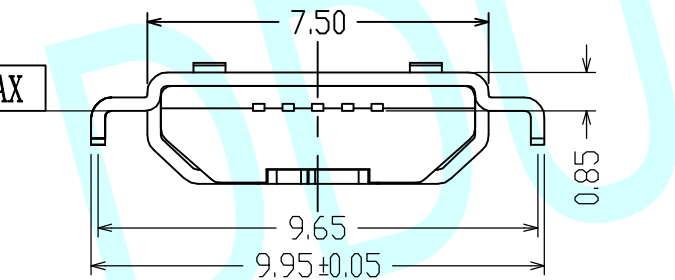


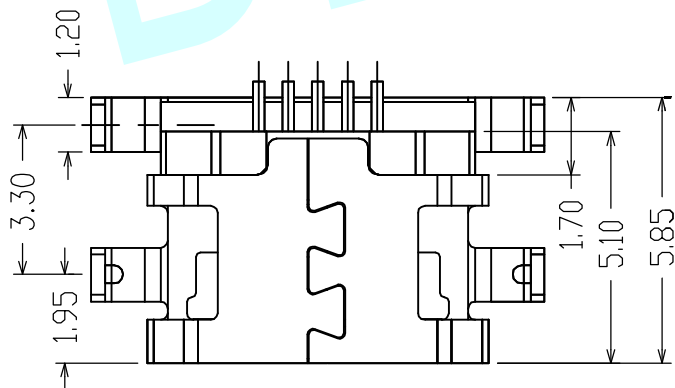
ROHS



$\frac{\text{D}}{R}$ 0.10 MAX



RECOMMENDED PCB LAYOUT (TOP VIEW)



APPROVALS		DATE	http://www.dongdudz.com	
DRAW:	ZRD	2017-12-6	TOLERANCE:	ANGLE:
CHECKED:	***	***	30°	±0.30
APPOVALS:	***	***	10°30'	±0.20
			5°10'	±0.15
			≤5	±0.10
			±2°	



MODEL:	USB CONNECTOR	
PART NO:	MICRO USB-M-14R-1.6	
UNIT :mm	SCALE:1:1	
REV:	A	PAGE:1/1