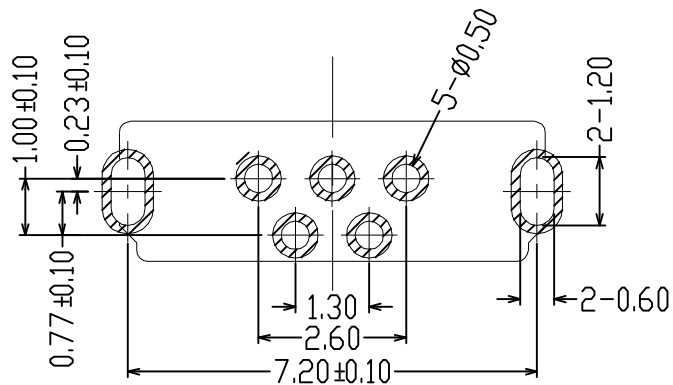
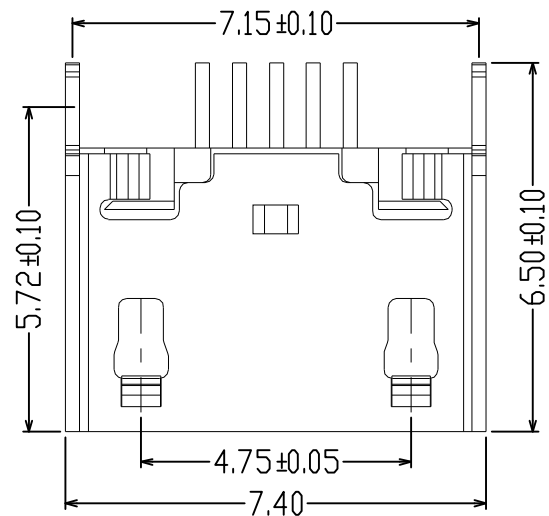
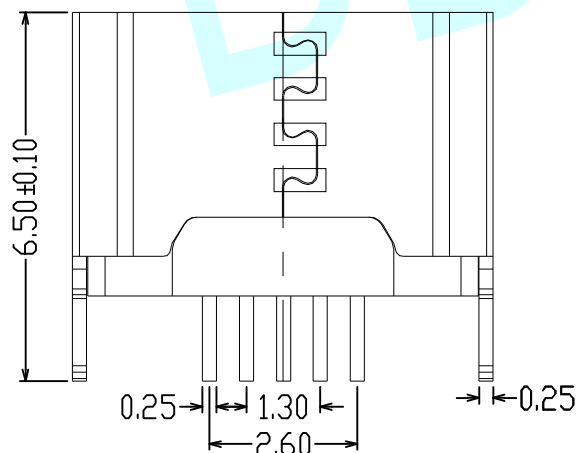
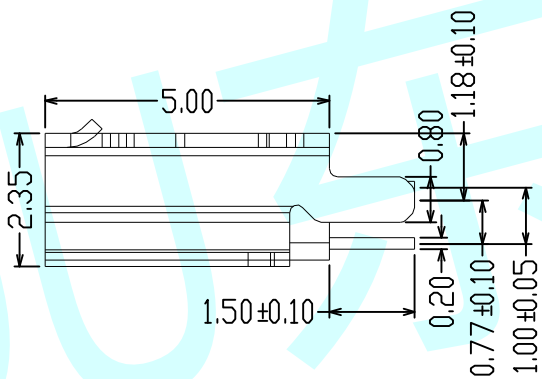
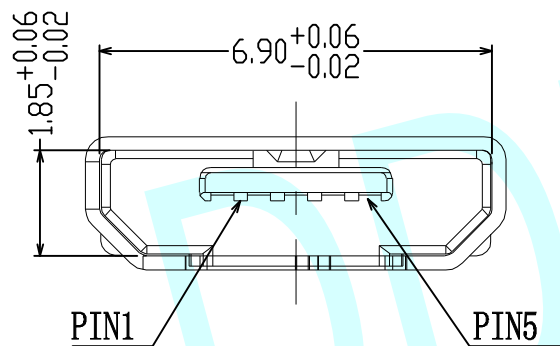


**ROHS**




**RECOMMENDED PCB LAYOUT**



**NOTE:**

1. Product specification:
  - a. Insertion force: 35N max
  - b. Pull-out force: 10N MIN Initial 8~20N After 10000 cycles
  - c. Rated current: 1.0A
  - d. Rated voltage: 30V
  - e. Durability: 10000 cycles min
  - f. Withstand voltage: 100V AC min
  - g. Contact impedance: 30mΩ max Initial: 40mΩ max After 10000 cycles
  - h. Insulation resistance: 100MΩ min
  - i. Working temperature: -30℃~+80℃
2. Texture of material:
  - a. Rubber core: LCP UL94V-0
  - b. Terminal: C5191 Tin bottom, gold plated 1u"
  - c. Shell: SUS

APPROVALS		DATE	http://www.dongdudz.com	
DRAW:	ZRD	2017-12-6	TOLERANCE:	ANGLE:
CHECKED:	***	***	30≥	±2°
APPOVALS:	***	***	10~30	
			5~10	
			≤5	
			 <b>® 东都电子</b> DONGDU ELECTRONICS	
MODEL:		USB CONNECTOR		
PART NO:		MICRO USB-M-061-01R		
UNIT :mm	SCALE: 1:1			
REV:	A	PAGE: 1/1		