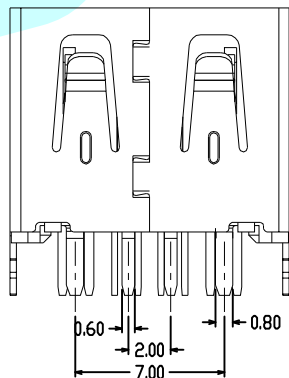
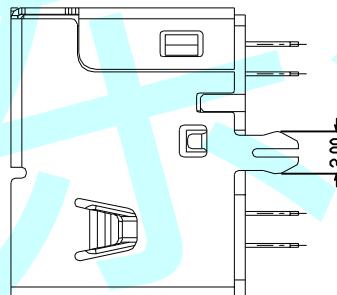
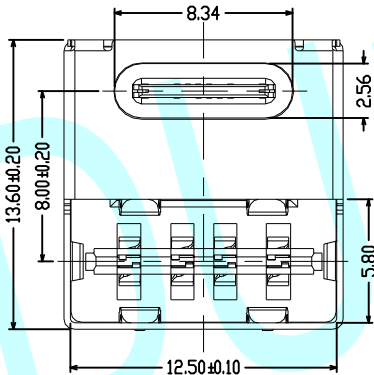
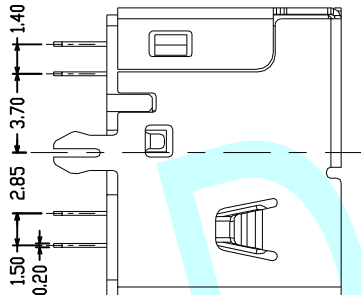
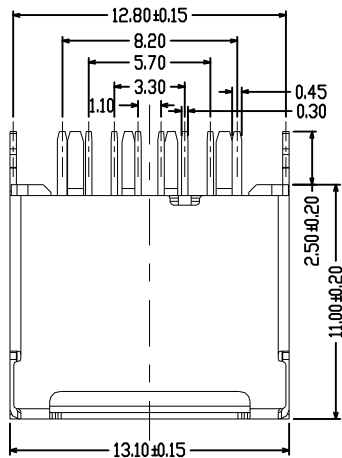
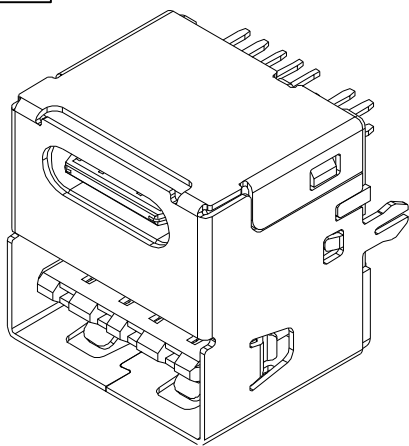
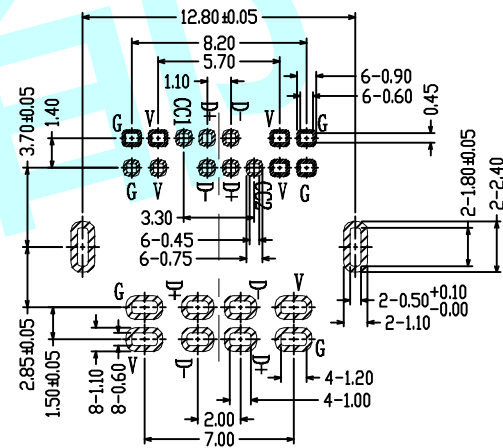


ROHS





NOTES:

1. Current rating:
 - a. Type-C: 8A max
 - b. USB2.0: 5A max
2. Withstanding voltage: AC 100V
3. Temperature range: -30°C~+85°C
4. Contact resistance: 40mΩ max
5. Insulation resistance: 100MΩ min
6. Insertion force: 5~20N
7. Unmating force: 8~20N (1~1000 cycles)
6~20N (After 10000 cycles)
8. Durability: 10,000 cycles



PCB LAYOUT

APPROVALS		DATE	http://www.dongdudz.com		 东都电子 DONGDU ELECTRONICS
DRAW:	ZRD	2017-12-6	TOLERANCE:	ANGLE:	
CHECKED:	***	****	30≥	±0.30	±2°
APPOVALS:	***	****	10°30	±0.20	
			5°10	±0.15	
			≤5	±0.10	
MODEL:	USB CONNECTOR		UNIT :mm	SCALE: 1:1	 PAGE: 1/1
PART NO:	TYPE. C. 3. 1-10MM		REV:	A	