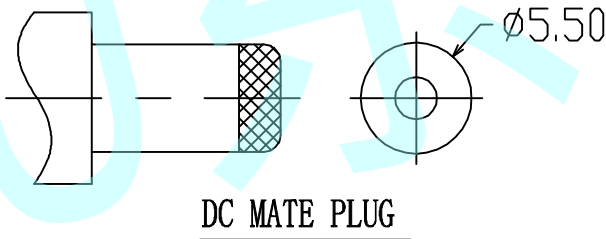
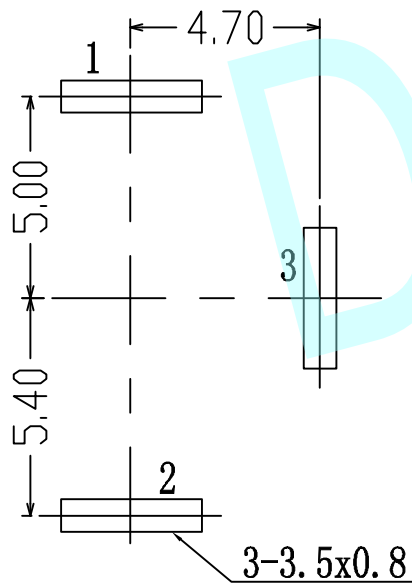
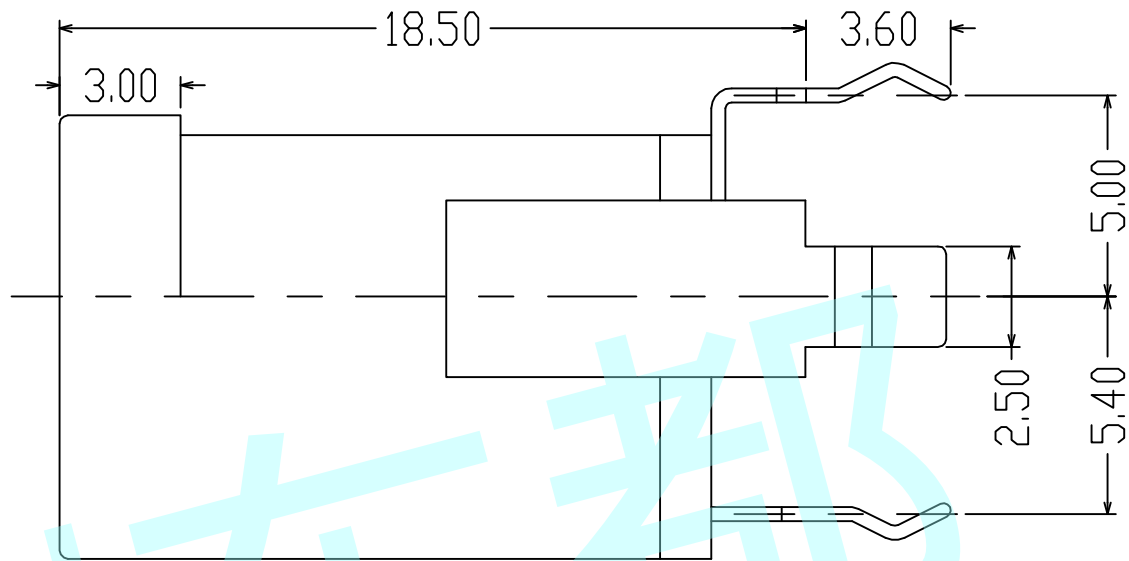
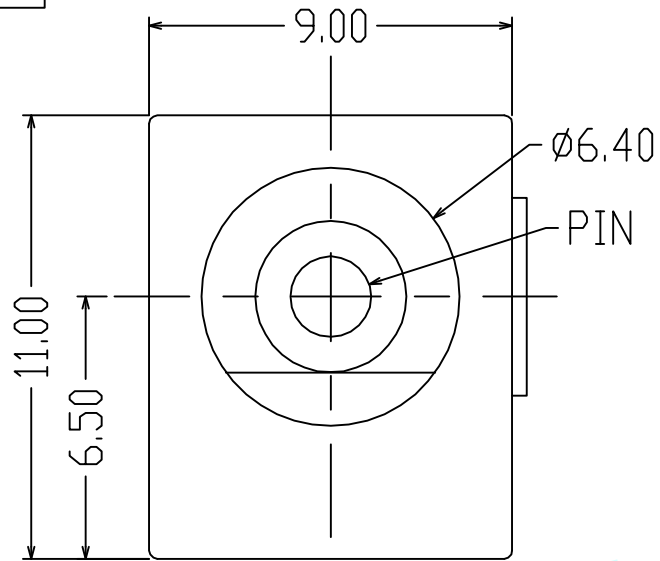



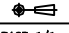
ROHS



NOTES:

1. Rating:0.5A 30V DC
2. Contact Resistance:100mΩ Max.
3. Operating temperature:-20℃~70℃
4. Operating force:3-20N
5. Operating Life:5,000cycles

PCB LAYOUT (Copper-side view)

		PIN	∅2.00	∅2.35	∅2.50
APPROVALS		DATE	http://www.dongdudz.com		
DRAW:	ZRD	2017-12-6	TOLERANCE:		ANGLE:
CHECKED:	***	***	30° ≥	±0.30	±2°
APPOVALS:	***	***	10°~30	±0.20	
			5°~10	±0.15	
			≤5	±0.10	
				 <b>东都电子</b> DONGDU ELECTRONICS	
				MODBL: DC POWER JACK PART NO: DC-014 UNIT :mm SCALE:1:1  REV: A PAGE:1/1	