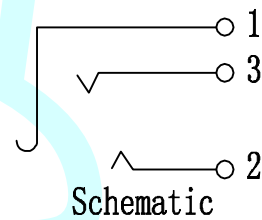
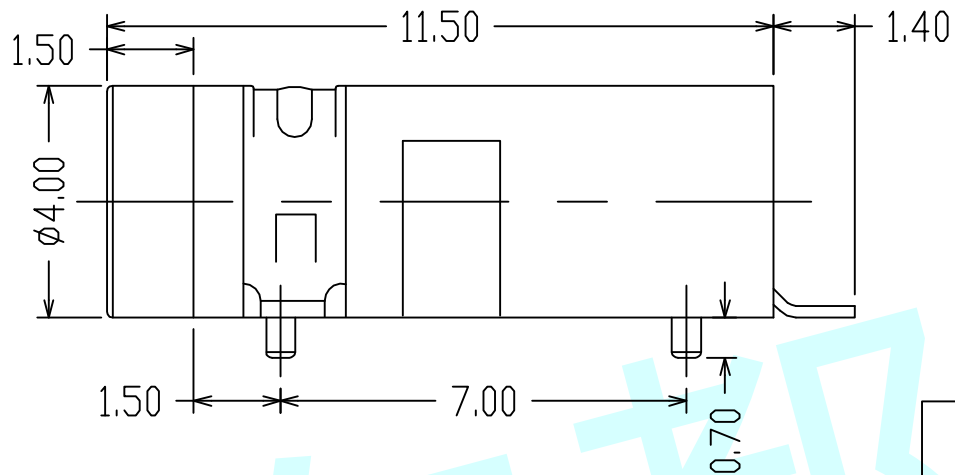
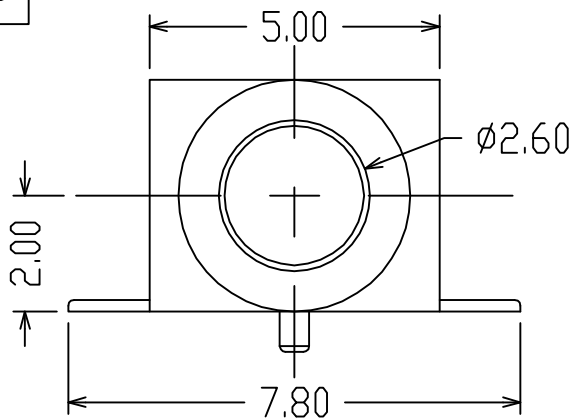
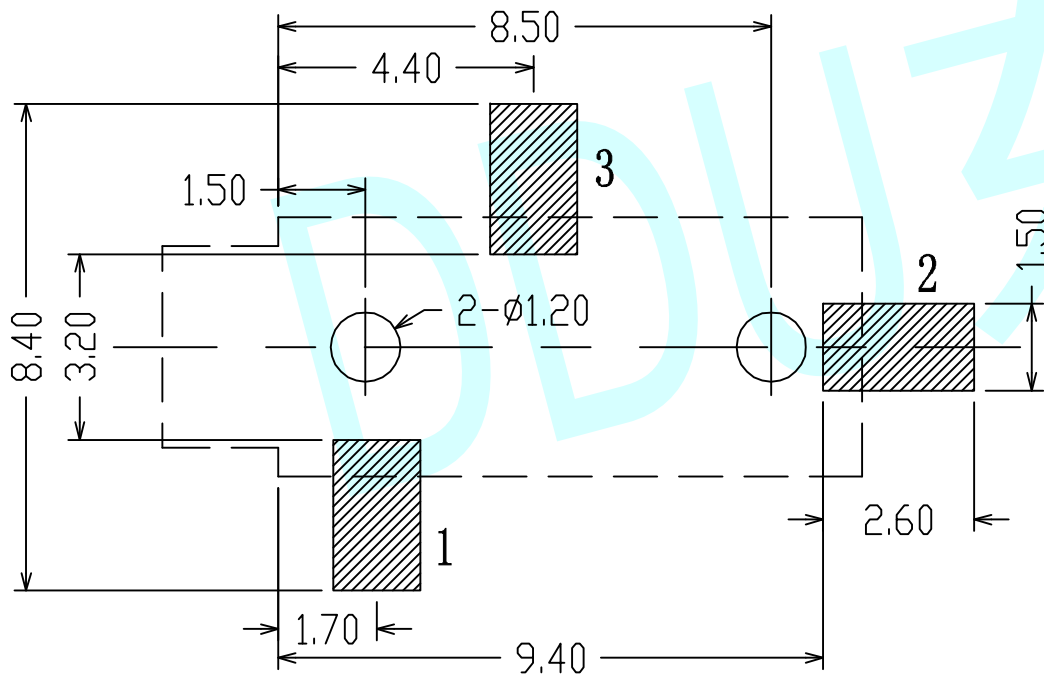


ROHS




NOTES:

1. Rating :0.5A 30V DC
2. Contact Resistance :100mΩ Max
3. Operating Temperature:-20℃~70℃
4. Operating Force:3-20N
5. Operating Life:5,000 Cycles



PCB Layout (Copper-Sided View)

APPROVALS		DATE	http://www.dongdudz.com	
DRAW:	ZRD	2017-12-6	TOLERANCE:	ANGLE:
CHECKED:	***	****	30≥ ±0.30	±2°
APPOVALS:	***	****	10~30 ±0.20	
			5~10 ±0.15	
			≤5 ±0.10	
				 ® 东都电子 DONGDU ELECTRONICS
				MODEL: PHONE JACKES
				PART NO: PJ-202
				UNIT :mm SCALE:1:1
				REV: A PAGE:1/1