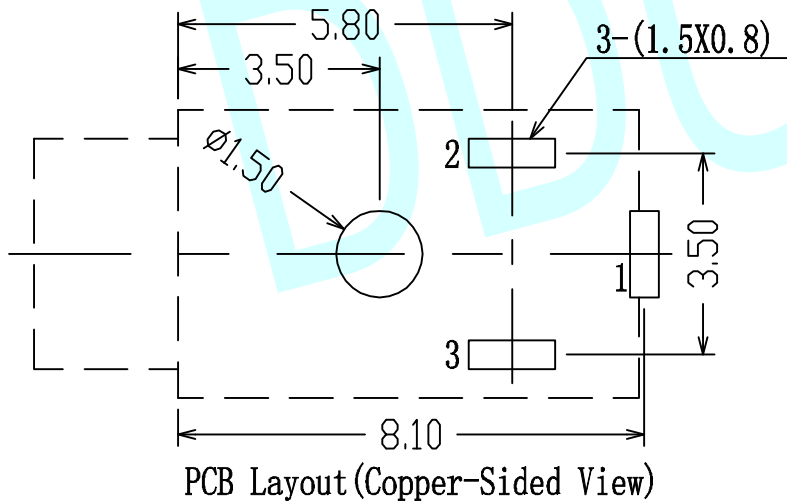
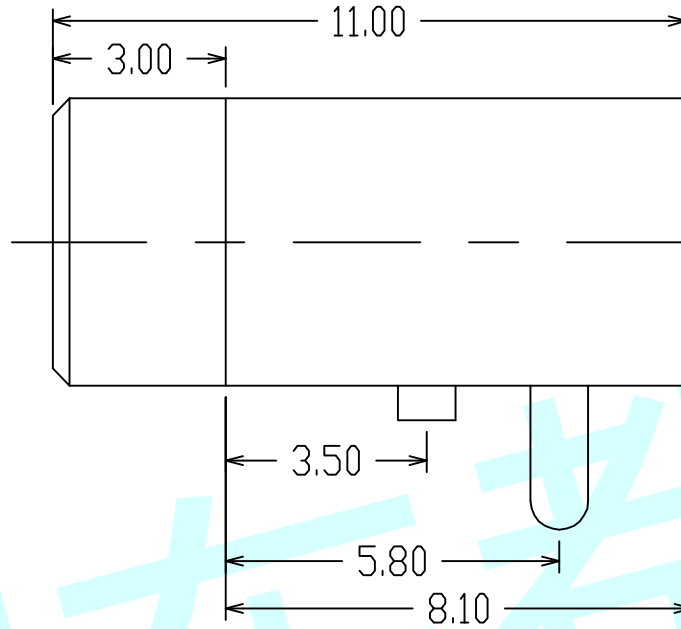
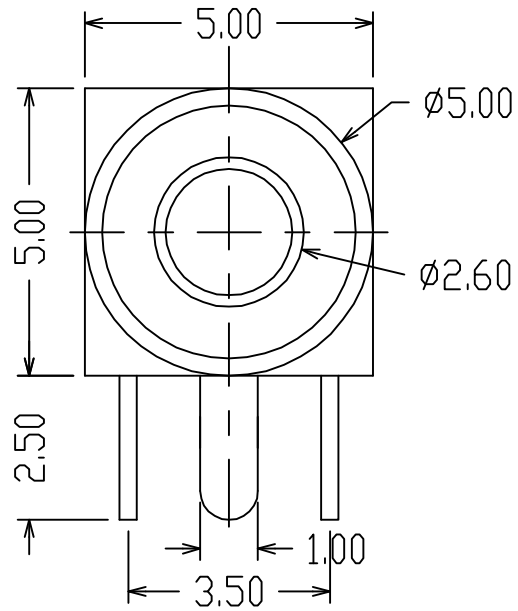

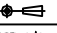


ROHS



NOTES:

1. Rating :0.5A 30V DC
2. Contact Resistance :100mΩ Max
3. Operating Temperature:-20℃~70℃
4. Operating Force:3-20N
5. Operating Life:5,000 Cycles

APPROVALS		DATE	http://www.dongdudz.com	
DRAW:	ZRD	2017-12-6	TOLERANCE:	ANGLE:
CHECKED:	***	****	30 [≥]	±2°
APPOVALS:	***	****	10 [~] 30	
			5 [~] 10	
			≤5	
			 ® 东都电子 DONGDU ELECTRONICS	
MODEL:		PHONE JACKS		
PART NO:		PJ-214		
UNIT :mm	SCALE:1:1			
REV:	A	PAGE:1/1		