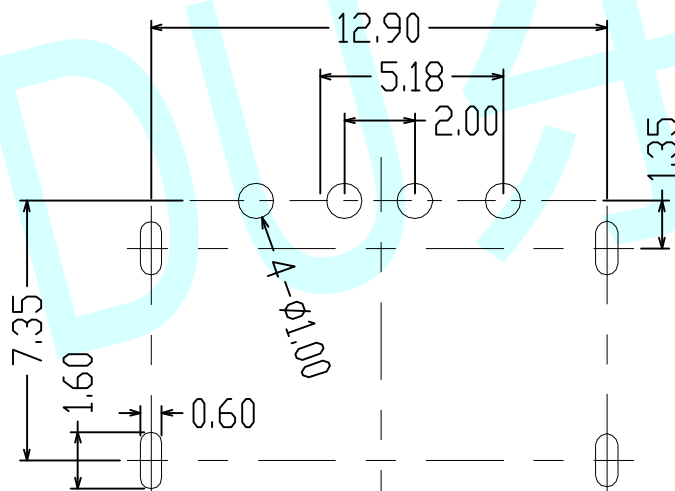
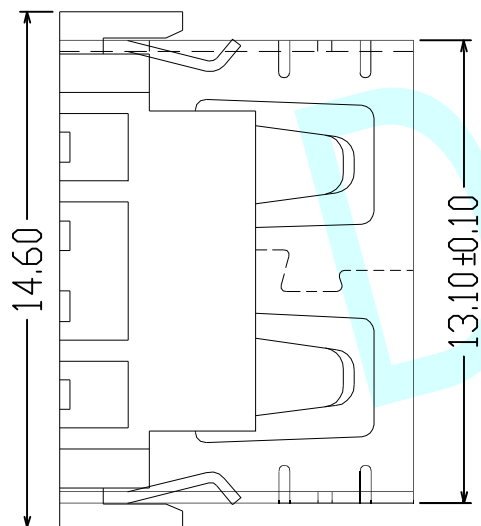
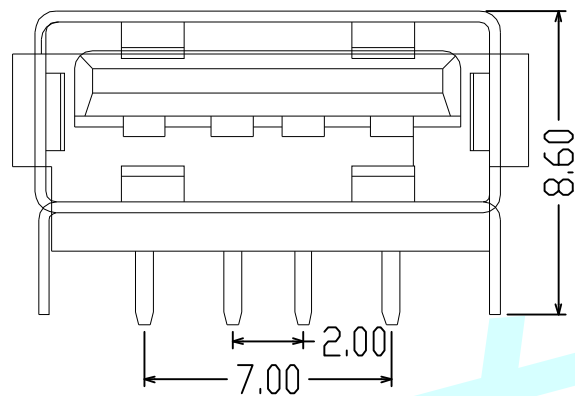
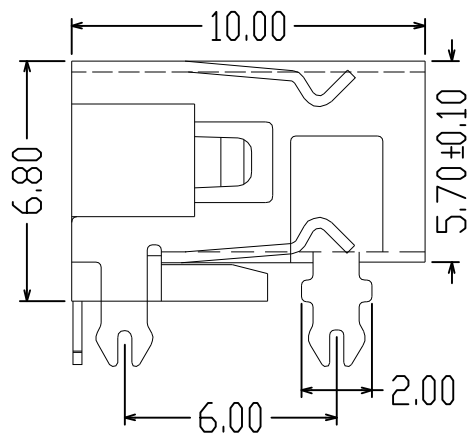


ROHS



RECOMMENDED PCB LAYOUT

Specifications:

1. Electrical:

- 1.1. Current Rating: 1.5A contact terminal
- 1.2. Voltage Rating: 30V DC
- 1.3. Contact Resistance: 30mΩ MAX
- 1.4. Dielectric Withstanding Voltage: 500V AC AT Sea Level
- 1.5. Insulation Resistance: 1000MΩ MIN

2. Mechanical:


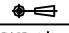
- 2.1. Connector Mate and Unmate Force
Mate force: 3.57kgf (MAX)
Unmate force: 1.02kgf (MIN)
- 2.2. Terminal Retention: 1.0kgf (MIN)

3. Material:

- 3.1. Housing: High Temperature Thermoplastics
- 3.2. Contact: Copper Alloy C2680/SPCC
- 3.3. Shell: Copper Alloy C2680/SPCC

4. Finish:

- 4.1. Contact: Plated Gold in Mating Area:
Tin On Solder Tails
Four side plating of terminals 50u" (MIN) Tin, Gold plated area 100~200u" Gold-plated
- 4.2. Shell: Four side plating of copper shell 180u" (MIN) Tin
Nickel Plating

APPROVALS		DATE	http://www.dongdudz.com		 ® 东都电子 DONGDU ELECTRONICS
DRAW:	ZRD	2017-12-6	TOLERANCE:	ANGLE:	
CHECKED:	***	***	30≥	±0.30	
APPOVALS:	***	***	10~30	±0.20	
			5~10	±0.15	
			≤5	±0.10	±2°
MODEL:	USB CONNECTOR		UNIT : mm	SCALE: 1:1	
PART NO:	USB AF-90D-19A		REV:	A	PAGE: 1/1