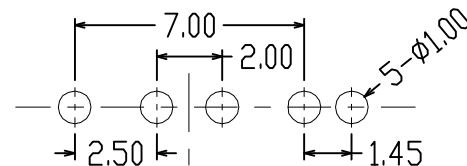
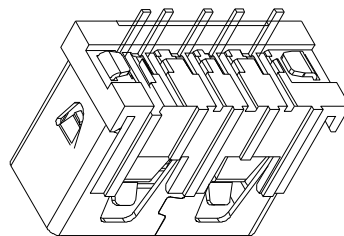
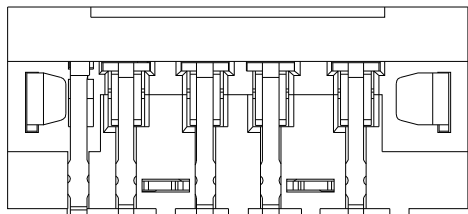


ROHS



RECOMMEND P. C. B LAYOUT
TOLERANCE: ± 0.10

NOTES:

1. Material specification:

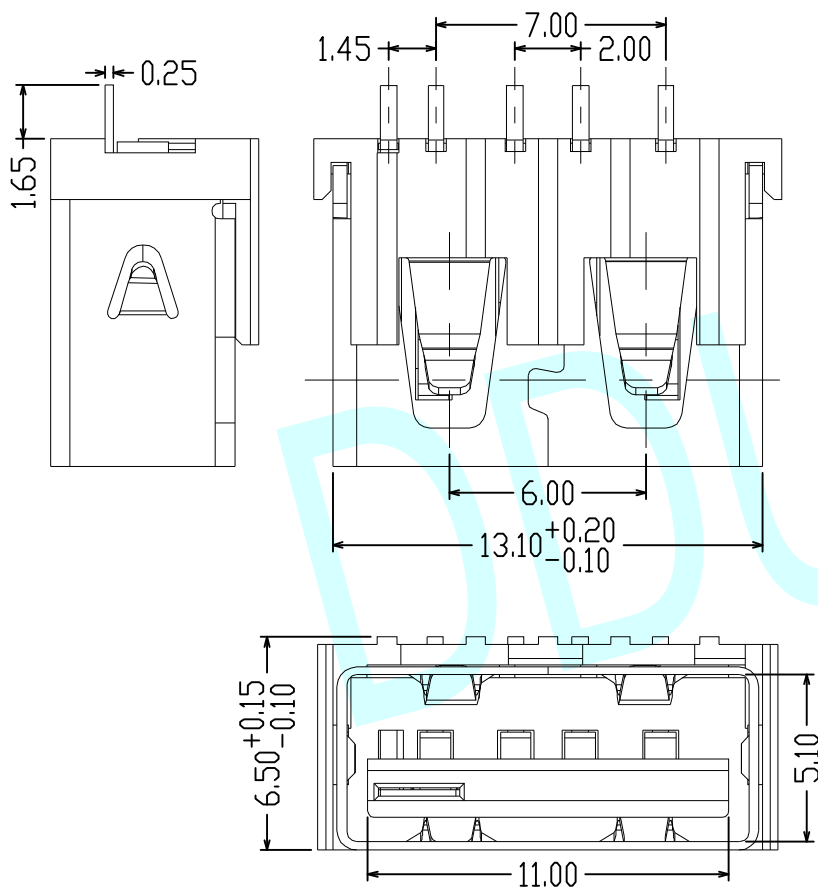
- 1). Insulation material: thermoplastic halogen free
- 2). Shell: copper alloy T=0.30mm
Plating: Nickel
- 3). Terminal: copper alloy T=0.25mm
Plating: GOLD/TIN PLATED


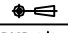
2. Electrical characteristic:

- 1). Insulation resistance: 1000M Ω min
- 2). Contact resistance: 30m Ω max
- 3). Withstanding voltage: 500V AC

3. Mechanical characteristics:

- 1). Insertion force: 3.57kgf max
- 2). Extraction force: 1.02kgf min



APPROVALS		DATE	http://www.dongdudz.com		 东都电子 DONGDU ELECTRONICS
DRAW:	ZRD	2017-12-6	TOLERANCE:	ANGLE:	
CHECKED:	***	***	30 \geq	± 0.30	
APPOVALS:	***	***	10 \sim 30	± 0.20	
			5 \sim 10	± 0.15	$\pm 2^\circ$
			≤ 5	± 0.10	
MODEL:	USB CONNECTOR		UNIT :mm	SCALE: 1:1	
PART NO:	USB AF-180D-5P-L		REV:	A	PAGE: 1/1