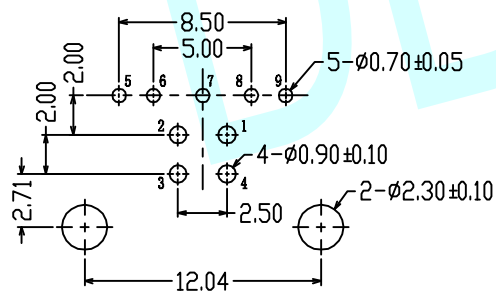
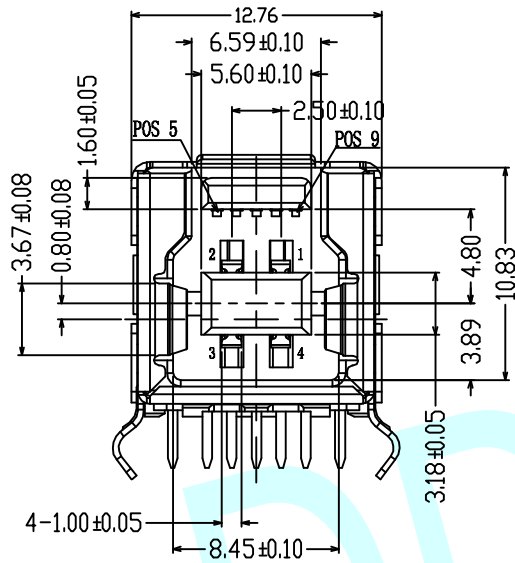
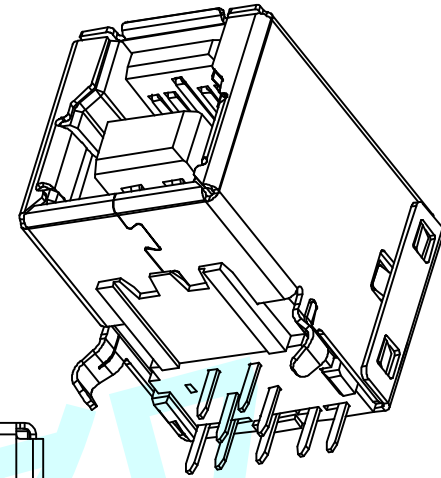
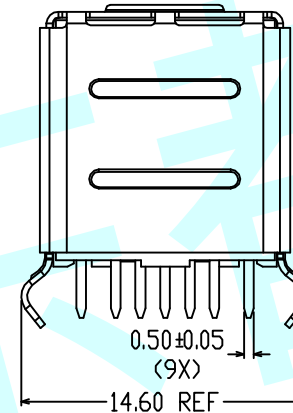
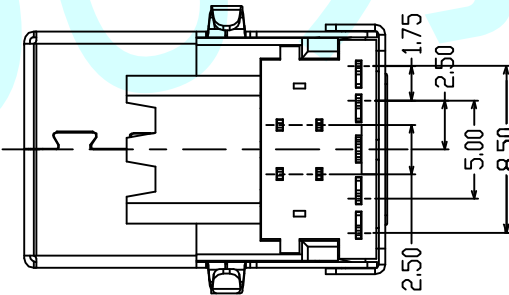
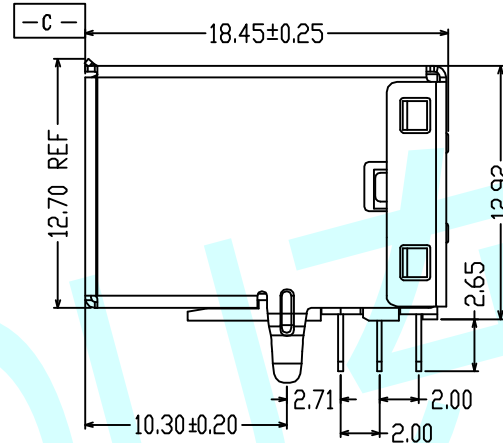
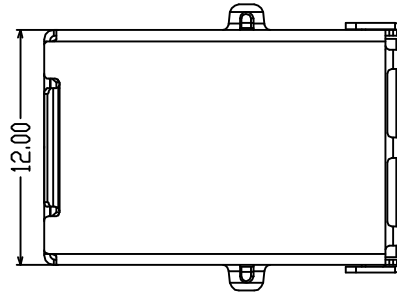


ROHS


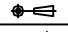


RECOMMENDED PCB LAYOUT



NOTES:

1. Current Rating :
1.8Amperes For Pin1 & Pin4
0.25Amperes Other Contacts
2. Dielectric Withstanding Voltage:AC 100V (RMS)
3. Insulation Resistance:100MΩ Min
4. Contact Resistance:
30mΩ Max For Pin1 & Pin4
50mΩ F or Other Contacts
5. Mechanical Characteristics:
Mating Force:35N. Max
Unmating Force:10N. Min
8N Min After Durability.
6. Operating Temperature:-55℃~+85℃

APPROVALS		DATE	http://www.dongdudz.com		 东都电子 DONGDU ELECTRONICS
DRAW:	ZRD	2017-12-6	TOLERANCE:	ANGLE:	
CHECKED:	***	***	30°	±0.30	±2°
APPOVALS:	***	***	10°30'	±0.20	
			5°10'	±0.15	
			≤5	±0.10	
MODEL:	USB CONNECTOR		UNIT :mm	SCALE:1:1	
PART NO:	USB 2.0-2179		REV:	A	
			PAGE:1/1		