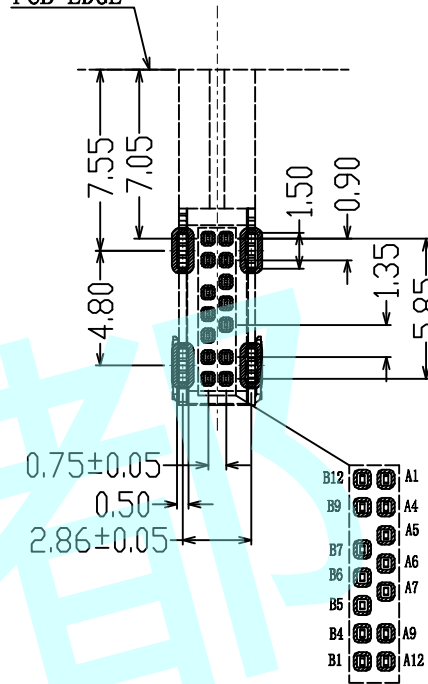
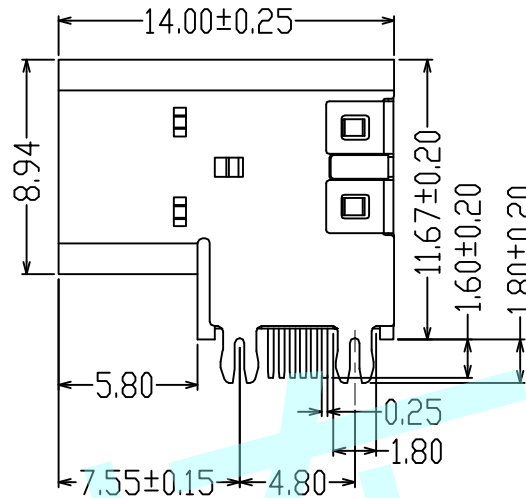
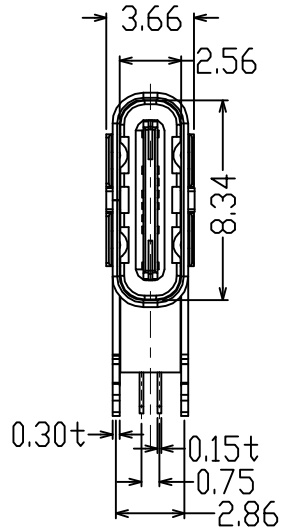
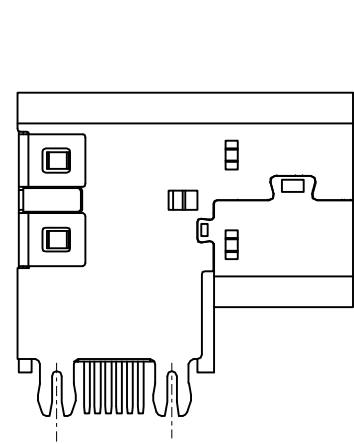


# ROHS

PCB板厚建议1.0~1.2MM

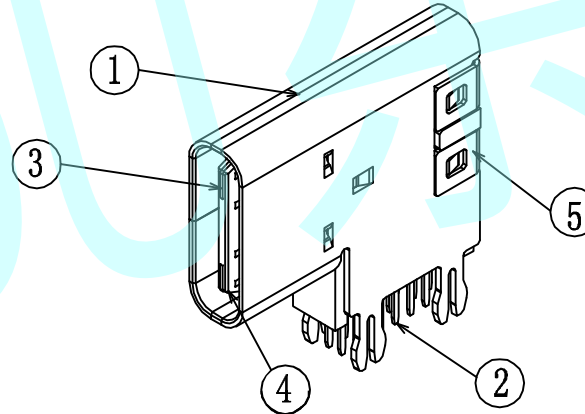
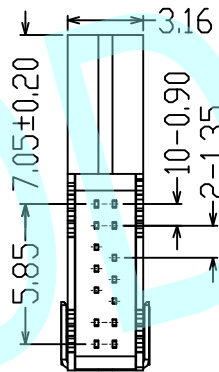
PCB EDGE



NOTE :

1. Seletive Plating

- S1: 5u" Gold In Contact Area  
100u" Tin In Tail Area
- S2: 0.8u" Gold In Contact Area  
100u" Tin In Tail Area
- S3: 10u" Gold In Contact Area  
100u" Tin In Tail Area
- S4: 15u" Gold In Contact Area  
100u" Tin In Tail Area
- S5: 30u" Gold In Contact Area  
100u" Tin In Tail Area



RECOMMENDED P.C.B. LAYOUT  
TOLERANCE UNSPECIFIED ±0.05mm

A1	GND	B12	GND
A4	VBUS	B9	VBUS
A5	CC1	B7	DN2
A6	DP1	B6	DP2
A7	DN1	B5	CC2
A9	VBUS	B4	VBUS
A12	GND	B1	GND
PIN	SIGNAL NAME	PIN	SIGNAL NAME

APPROVALS		DATE	http://www.dongdudz.com	
DRAW:	ZRD	2017-12-6	TOLERANCE:	ANGLE:
CHECKED:	***	***	30° ≥ ±0.30	±2°
APPOVALS:	***	***	10°30 ±0.20	
			5°10 ±0.15	
			≤5 ±0.10	

® 东都电子  
DONGDU ELECTRONICS

MODEL:	USB CONNECTOR	
PART NO:	TYPE C-14PIN-XC-DC2.6	
UNIT :mm	SCALE: 1:1	
REV:	A	PAGE: 1/1