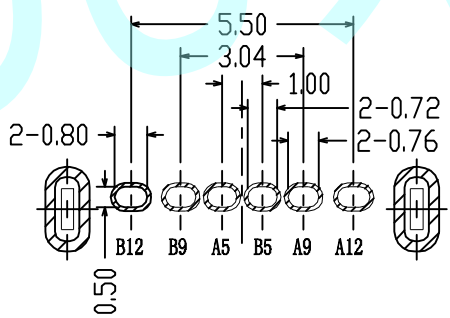
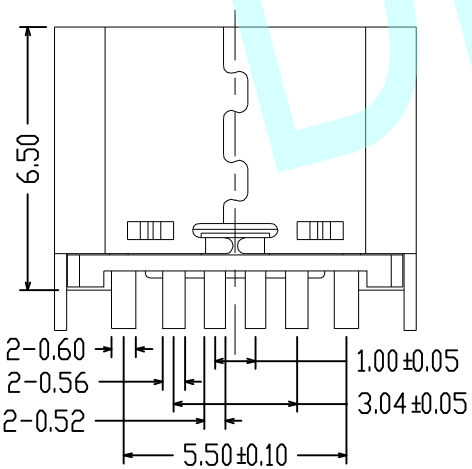
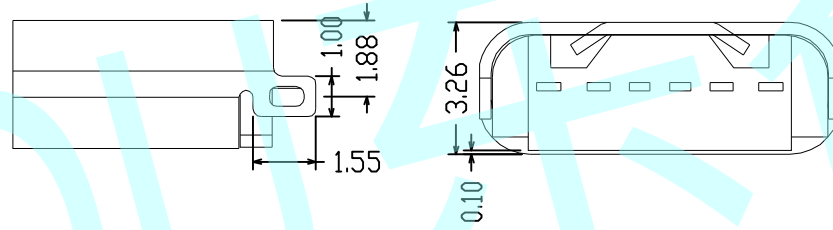
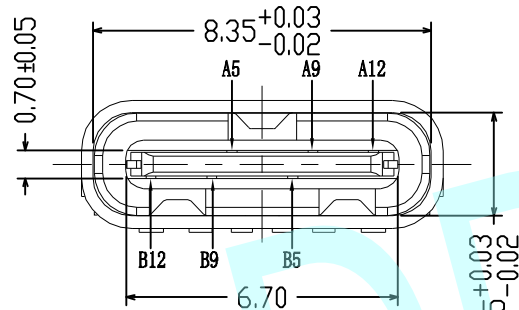
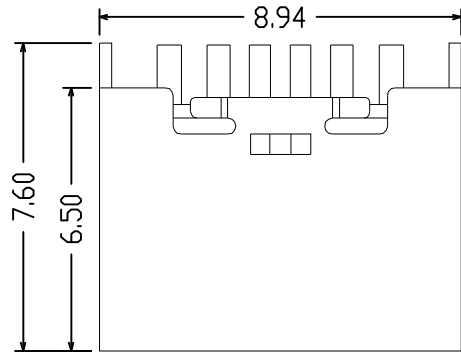


# ROHS




PCB LAYOUT

Technical requirements:

1. Electrical performance:
  - 1.1. Rated current: 3A
  - 1.2. Rated voltage: 20V
  - 1.3. Withstand voltage: 500V (AC) for 1 min
  - 1.4. Contact impedance: 40mΩ Max  
The impedance change after reliability and environmental test shall not exceed 10mΩ
  - 1.5. Insulation impedance: 100MΩ min
2. Mechanical properties:
  - 2.1. Insertion force: 5 ~ 20n, Max pulling force: 8 ~ 20n
  - 2.2. Life test: 10000 cycles, pulling force: 6 ~ 20n
  - 2.3. Thrust: 50nmin
  - 2.4. Peel strength: 150 Nmin
  - 2.5. Torsion strength: 0.75nm
3. Material requirements:
  - 3.1. Rubber core material: LCP
  - 3.2. Shell material: SUS304
  - 3.3. Terminal material: C2680
4. Salt spray requirement: 24h
5. Working temperature: - 20 °C ~ + 85 °C

A5	CC1	B12	GND
A9	VBUS	B9	VBUS
A12	GND	B5	CC2
PIN	SIGNAL NAME	PIN	SIGNAL NAME

APPROVALS		DATE	http://www.dongdudz.com	
DRAW:	ZRD	2017-12-6	TOLERANCE:	ANGLE:
CHECKED:	***	***	30≥	±0.30
APPOVALS:	***	***	10°30	±0.20
			5°10	±0.15
			≤5	±0.10

 **东都电子**  
DONGDU ELECTRONICS

MODEL: USB CONNECTOR  
PART NO: TYPE C-6PIN-L6.5  
UNIT :mm SCALE:1:1  
REV: A PAGE:1/1