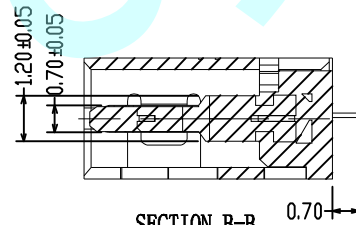
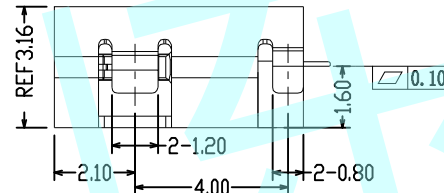
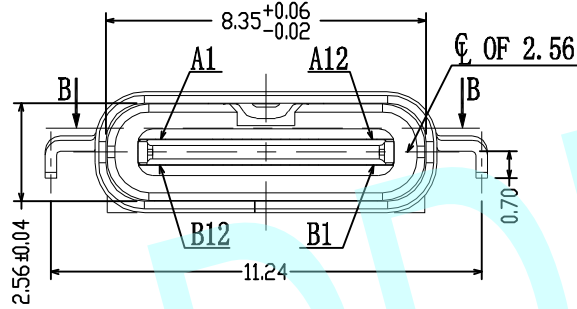
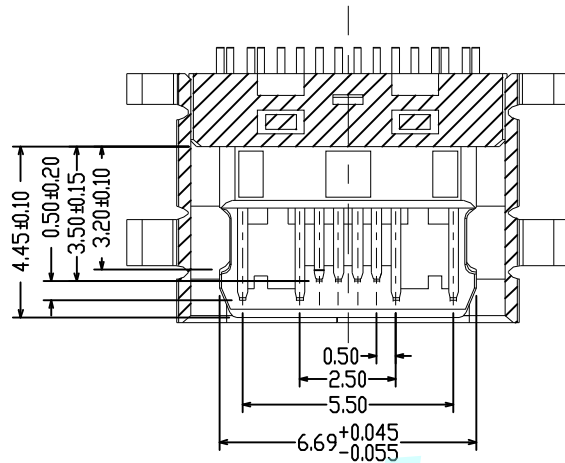
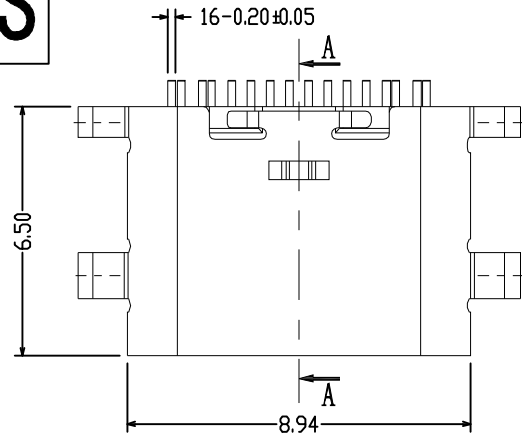
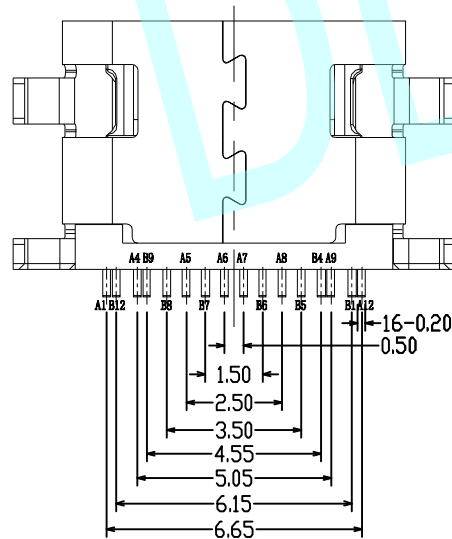


ROHS



SECTION B-B
SCALE 1:1



NOTE:

1. Material specification:
 - 1.1 Housing: high temperature resistant plastic, UL94V-0
 - 1.2 Contacts: copper alloy
 - 1.3 Mid plate: stainless steel
2. Plating specification:
 - 2.1 Contacts:
 - Ni 50u" min. under plated over all
 - Au plated on the functional area of contact.
 - (GOLD plating thickness follow the P/N)
 - GOLD FLASH PLATING ON SOLDER AREA
 - 2.2 Front shell:
 - Ni 30u" min. under plated over all
3. Mechanical performance:
 - 3.1 Insertion force: 0.5~2.0kgf
 - 3.2 Removal force: 0.8~2.0kgf
 - 3.3 Durability: 10,000 cycles
4. Electrical performance:
 - 4.1 Current rating: 3.0A
 - Voltage rating: 5.0V
 - 4.2 Insulation resistance: 100MΩ MIN
 - 4.3 Dielectric withstand voltage, AC 100V FOR 1 MINUTE
5. Environmental performance:
 - Operating temperature: -30°C~+80°C
6. IR reflow:
 - The peak temperature on the board shall BE maintained for 10 seconds AT 260°C

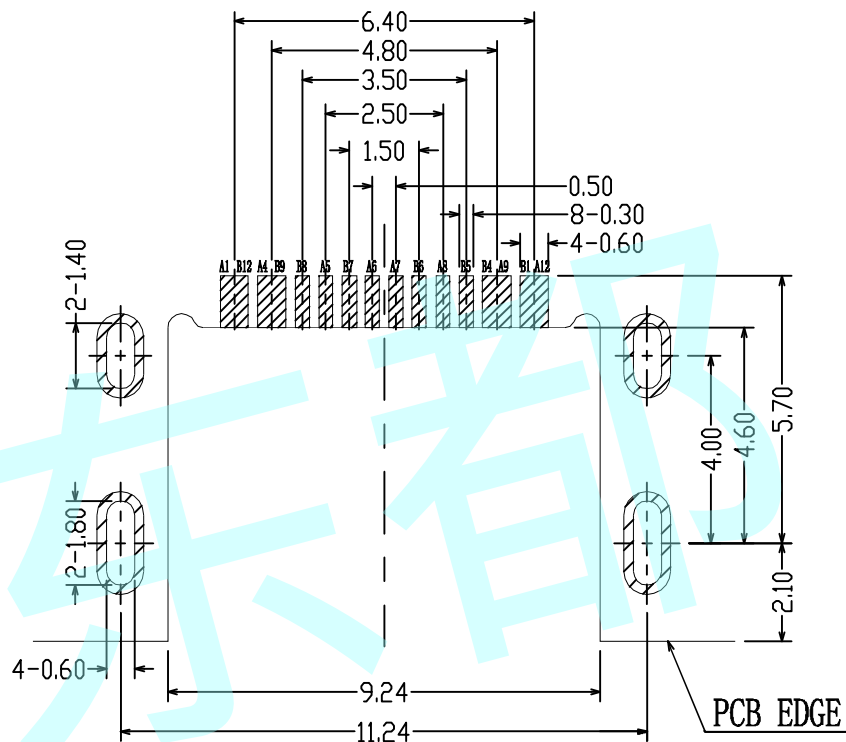
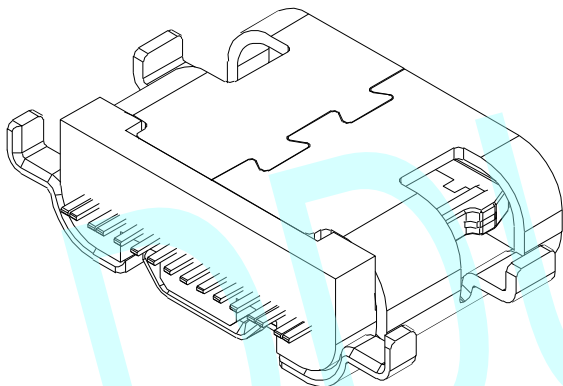
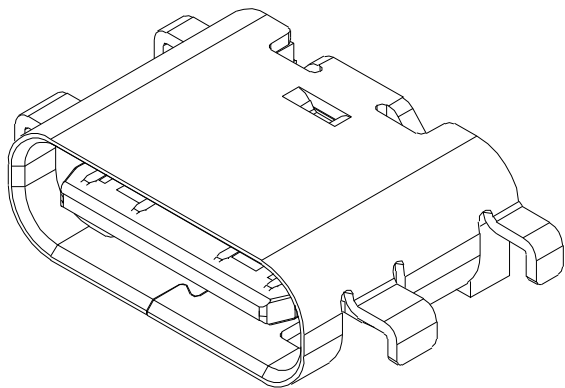
APPROVALS		DATE	http://www.dongdudz.com	
DRAW:	ZRD	2017-12-6	TOLERANCE:	ANGLE:
CHECKED:	***	***	30≥	±0.30
APPOVALS:	***	***	10°~30	±0.20
			5°~10	±0.15
			≤5	±0.10
			±2°	
APPROVALS				
DATE				
http://www.dongdudz.com				

® 东都电子

DONGDU ELECTRONICS

MODEL:	USB CONNECTOR	
PART NO:	TYPE. C. 3.1-20M	
UNIT :mm	SCALE: 1:1	
REV:	A	PAGE: 1/2

ROHS





RECOMMEND PCB LAYOUT (COMPONENT SIDE)

TOLERANCE FOR PCB LAYOUT IS ± 0.05

USB TYPE-C PIN ASSIGNMENTS

PIN NUMBER	SIGNAL NAME	PIN NUMBER	SIGNAL NAME
A1	GND	B12	GND
A4	VBUS	B9	VBUS
A5	CC1	B8	SBU2
A6	Dp1	B7	Dn2
A7	Dn1	B6	Dp2
A8	SBU1	B5	CC2
A9	VBUS	B4	VBUS
A10	GND	B1	GND

APPROVALS		DATE	http://www.dongdudz.com	
DRAW:	ZRD	2017-12-6	TOLERANCE:	ANGLE:
CHECKED:	***	***	30°	±2°
APPOVALS:	***	***	10°30'	
			5°10'	
			≤5	
			 ® 东都电子 DONGDU ELECTRONICS	
MODEL:		USB CONNECTOR		
PART NO:		TYPE. C. 3.1-20M		
UNIT :mm	SCALE:1:1			
REV:	A	PAGE:2/2		