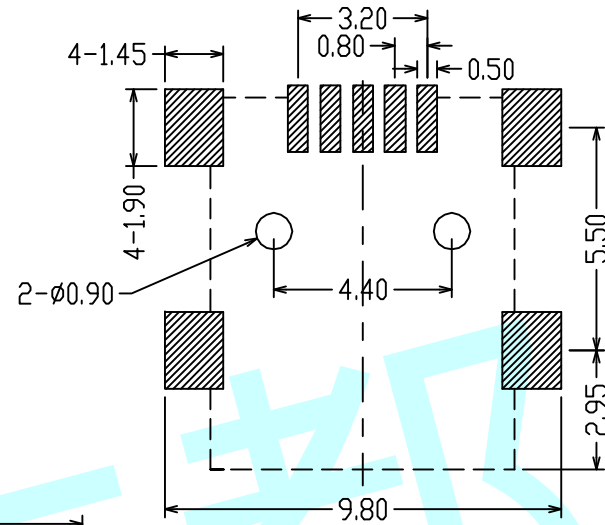
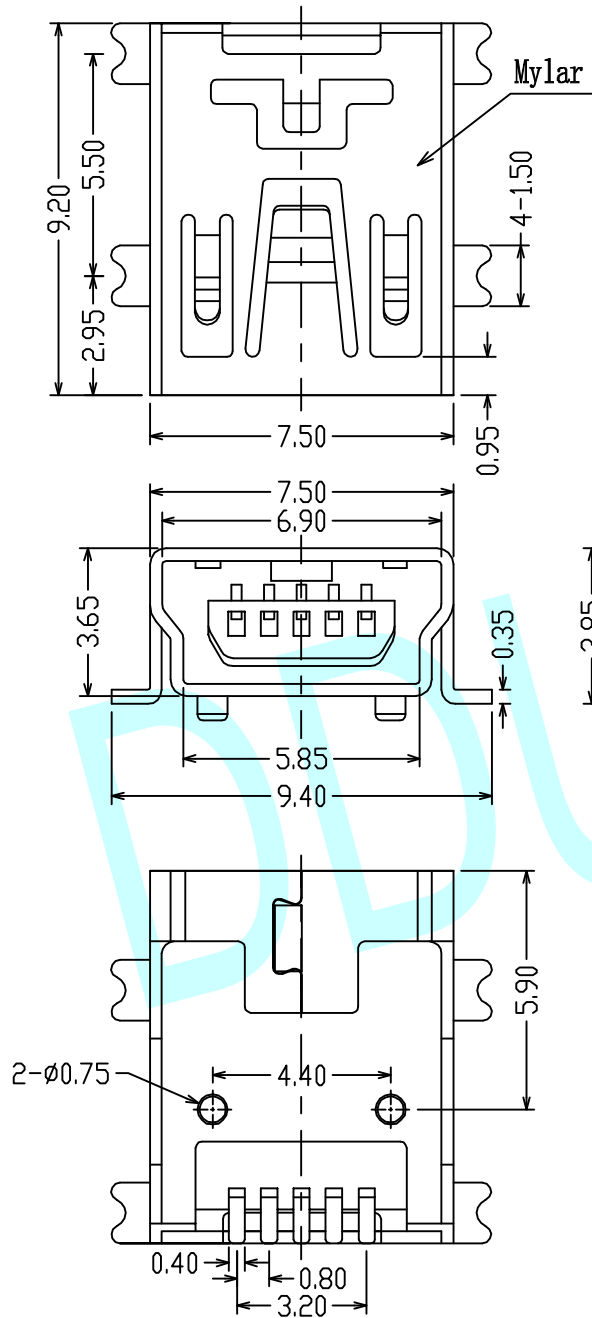




ROHS



Recommended PCB Layout

NOTES:

1. Rating: DC 30V 1A
2. Mechanical Life: 10,000 Cycles
3. Packaging: 1000PCS/Reel

APPROVALS		DATE	http://www.dongdudz.com	
DRAW:	ZRD	2017-12-6	TOLERANCE:	ANGLE:
CHECKED:	***	***	30 [≥]	±2°
APPOVALS:	***	***	10°30	
			5°10	
			≤5	
			 ® 东都电子 DONGDU ELECTRONICS	
MODEL:		USB CONNECTOR		
PART NO:		MINI USB-M-03		
UNIT :mm	SCALE: 1:1			
REV:	A	PAGE: 1/1		