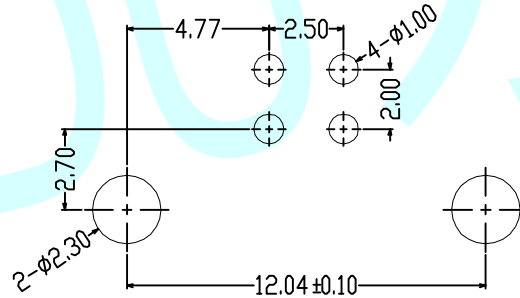
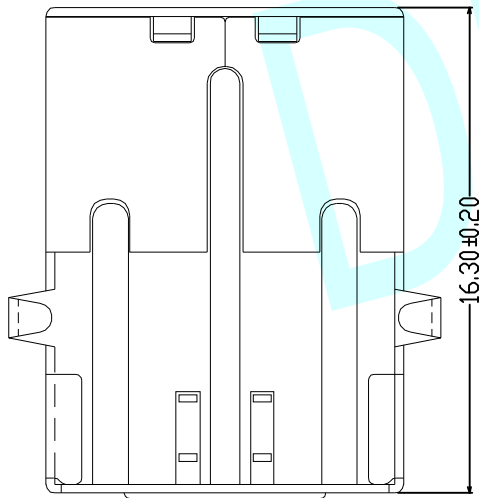
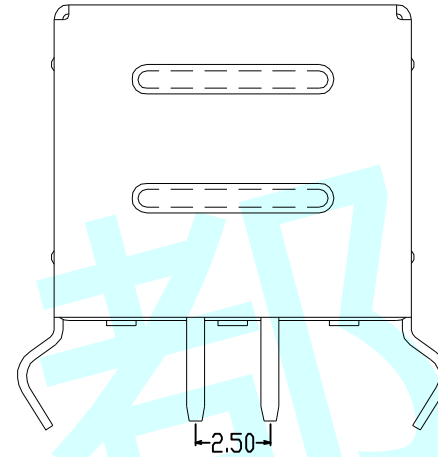
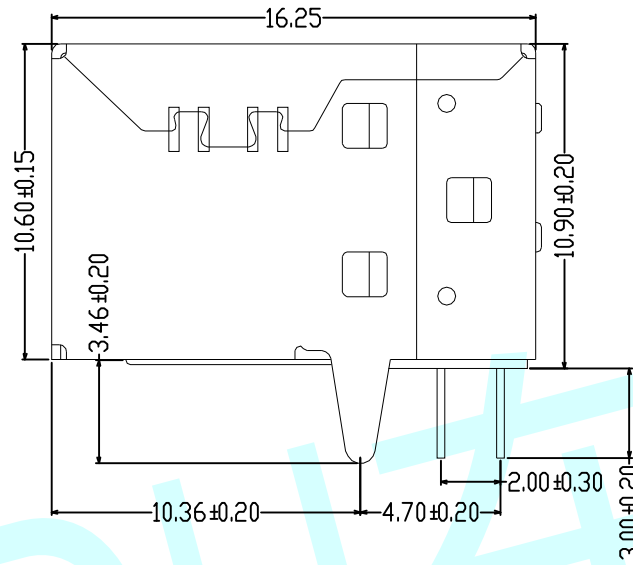
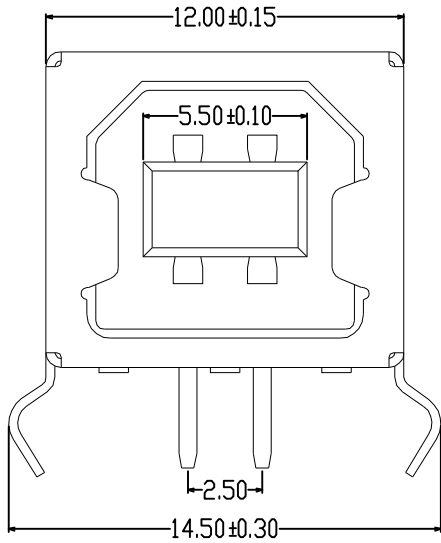


ROHS



PCB LAYOUT

Specifications:

A. Electrical:


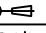
1. Current Rating:1.5A/contact terminal
2. Voltage rating:30V DC
3. Contact Resistance:30mΩ MAX
4. Dielectric Withstanding Voltage:50V ACAT Sea Level
5. Insulation Resistance:1000MΩ MIN

B. Material:

1. Plastic cement:
Hing temperature thermoplastics, PBT White/Black
2. Contact:Copper Alloy C2680
3. Shell:SPCC/Copper Alloy C2680

C. Electroplate:

1. Contac:Piated Gold in Mating Area;
Tin On Solder Talls
2. Shell:Nickel Plating

APPROVALS		DATE	http://www.dongdudz.com		 ® 东都电子 DONGDU ELECTRONICS	
DRAW:	ZRD	2017-12-6	TOLERANCE:	ANGLE:		
CHECKED:	***	***	30≥	±0.30		±2°
APPOVALS:	***	***	10~30	±0.20		
			5~10	±0.15		
			≤5	±0.10	MODEL: USB CONNECTOR PART NO: USB-90D-05 UNIT :mm SCALE:1:1  REV: A PAGE:1/1	