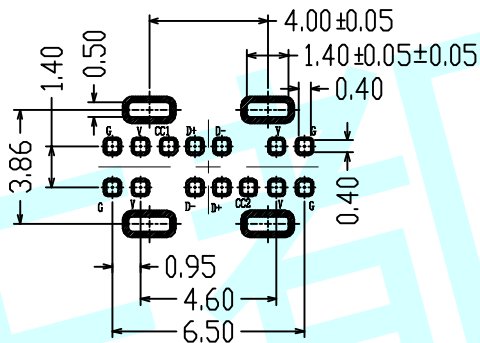
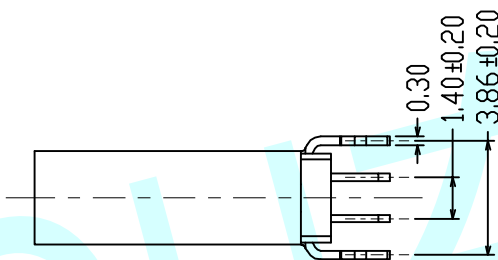
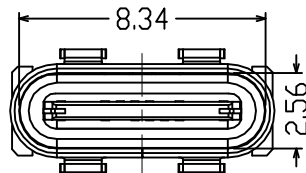
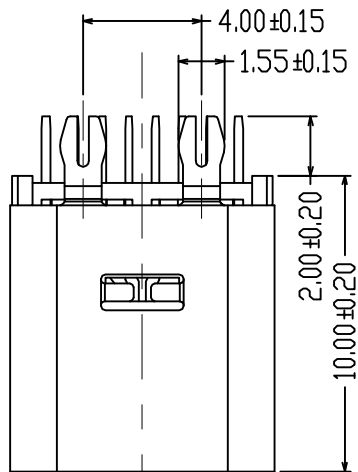
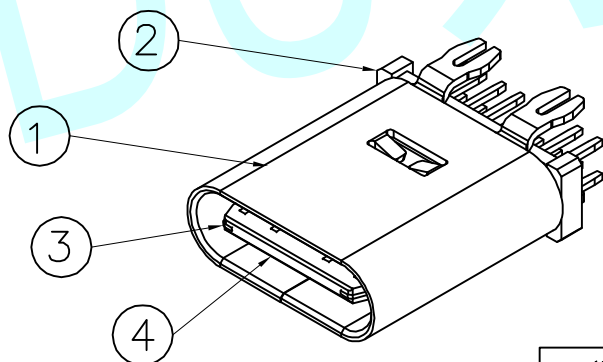
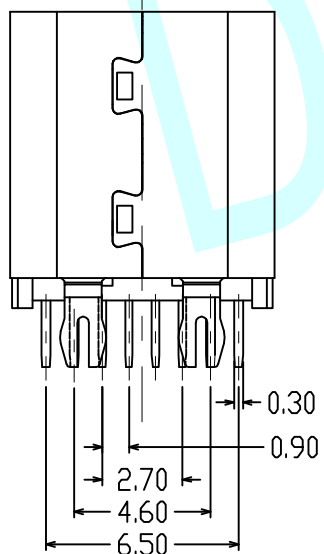


ROHS



RECOMMENDED P.C.B. LAYOUT  
TOLERANCE UNSPECIFIED ±0.05mm



NO.	DESCRIPTION	MATERIAL	COLOR	REMARK
4	TYPE C MD	HIGH TEMP	BLACK	UL 94V-0
3	MID PIECE	STAINLESS STEEL	—	NO Plated
2	TYPE C TERMINAL	COPPER ALLOY	—	Gold Plated
1	SHELL	STAINLESS STEEL	—	Ni Plated

APPROVALS		DATE	http://www.dongdudz.com	
DRAW:	ZRD	2023-12-6	TOLERANCE:	ANGLE:
CHECKED:	***	***	30° ≥ ±0.30	±2°
APPOVALS:	***	***	10°~30 ±0.20	
			5°~10 ±0.15	
			≤5 ±0.10	



MODEL:	****
PART NO:	****
UNIT :mm	SCALE:1:1
REV:	A

