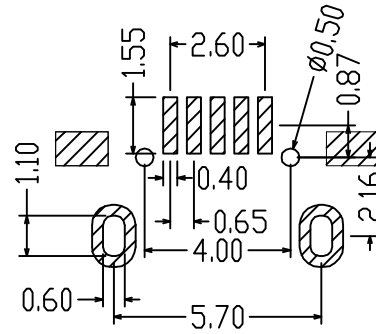
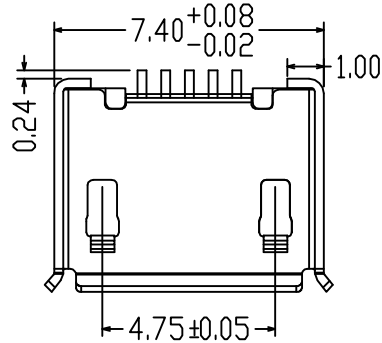
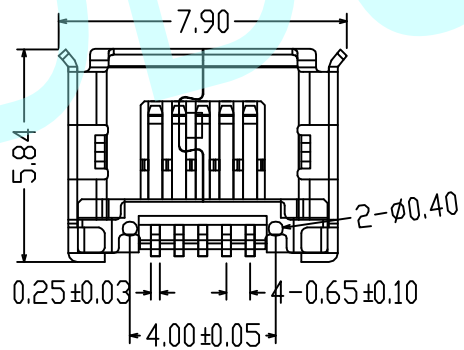
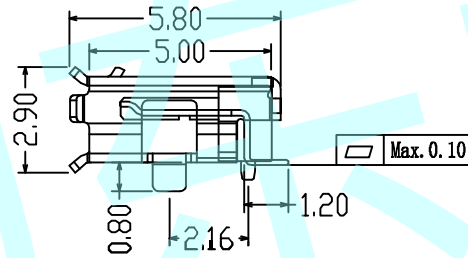
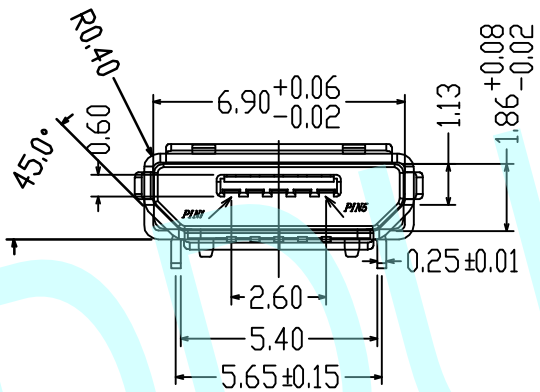
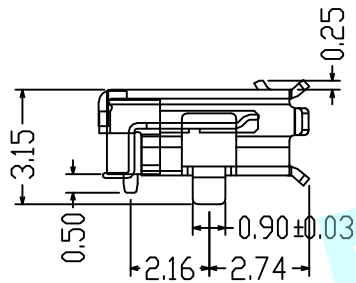


ROHS



RECOMMENDE. PCB LAYOUT (TOP VIEW)
DEFAULT TOLERANCE: ±0.05



NOTES:

A. Electrical:

1. Current Rating: 1.5A/contact terminal
2. Voltage Rating: 30V DC
3. Contact Resistance: 30mΩ MAX
4. Dielectric Withstanding Voltage: 100V AC AT Sea Level
5. Insulation Resistance: 100MΩ MIN

B. Mechanical:


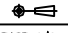
1. Connector Mate and Unmate Force:
Mate force: 3.57kgf (MAX)
Unmate force: 1.02kgf (MIN)
2. Terminal Retention: 0.5kgf (MIN)

C. Material:

1. Housing:
High Temperature Plastic,
LCP White/Black
2. Contact: Copper Alloy C2680
3. Shell: Copper Alloy SUS201

D. Finished:

1. Contact: Plated Gold in Mating Area;
Matte Tin On Solder Tails
2. Shell:
Plated Matte tin, Salt spray test: 24 hours

APPROVALS		DATE	http://www.dongdudz.com	
DRAW:	ZRD	2017-12-6	TOLERANCE:	ANGLE:
CHECKED:	***	***	30°	±0.30
APPOVALS:	***	***	10°~30	±0.20
			5°~10	±0.15
			≤5	±0.10
			±2°	
			 ® 东都电子 DONGDU ELECTRONICS	
MODEL:		USB CONNECTOR		
PART NO:		MICRO USB-M-09有卷边		
UNIT :mm	SCALE:1:1			
REV:	A	PAGE:1/1		