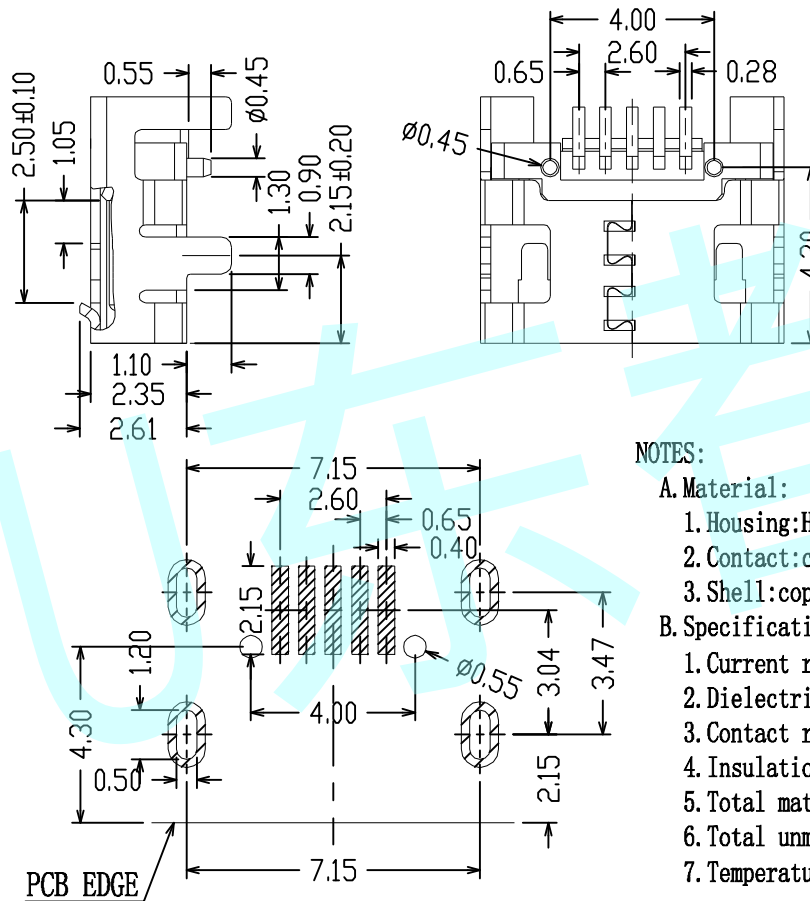
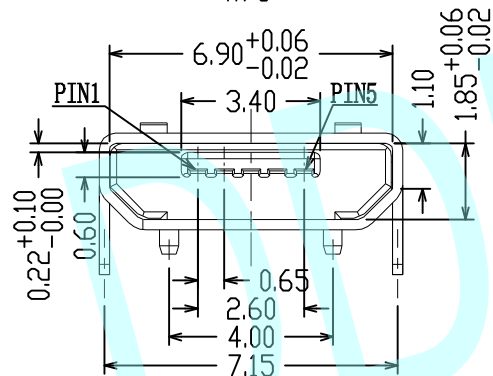
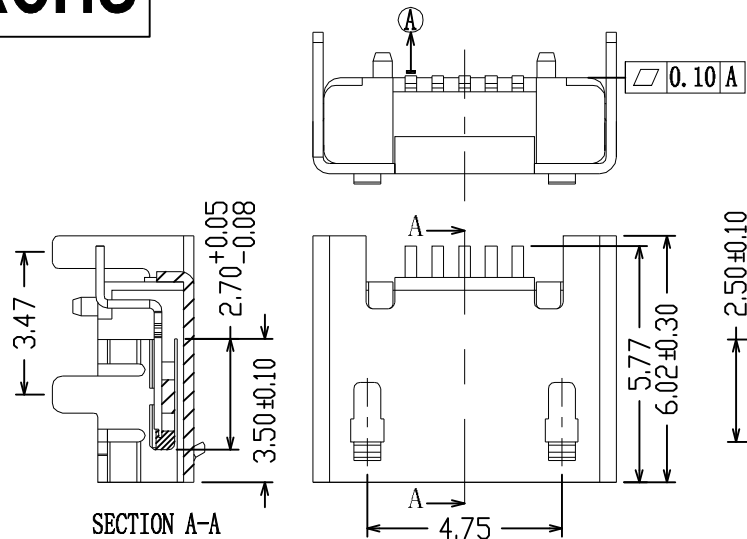


ROHS



RECOMMENDED PCB LAYOUT

NOTES:

A. Material:

1. Housing: High temperature thermoplastic with g. f, UL94V-0
2. Contact: copper alloy, t=0.20mm
3. Shell: copper alloy, t=0.25mm

B. Specification:

1. Current rating: 1.5PIN 1.8A max/2, 3, 4PIN 1A max
2. Dielectric withstanding voltage: 100V AC for 1 min
3. Contact resistance: 30mΩ max
4. Insulation resistance: 100MΩ min
5. Total mating force: 3.57kgf max
6. Total unmating force: 1.0kgf min
7. Temperature range: -30°C~80°C

APPROVALS		DATE	http://www.dongdudz.com		
DRAW:	ZRD	2017-12-6	TOLERANCE:	ANGLE:	
CHECKED:	***	***	30≥	±0.30	
APPOVALS:	***	***	10~30	±0.20	
			5~10	±0.15	
			≤5	±0.10	
			±2°		
				MODEL:	USB CONNECTOR
				PART NO:	MICRO USB-M-11
				UNIT :mm	SCALE:1:1
			REV:	A	
			PAGE:1/1		



MODEL:	USB CONNECTOR
PART NO:	MICRO USB-M-11
UNIT :mm	SCALE:1:1
REV:	A
PAGE:1/1	