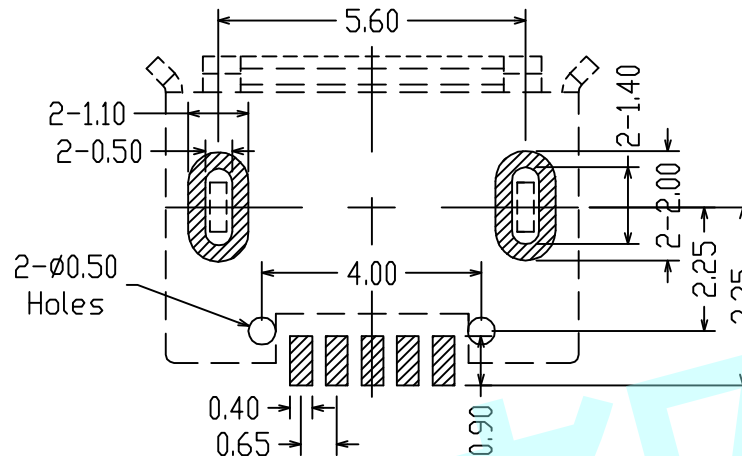
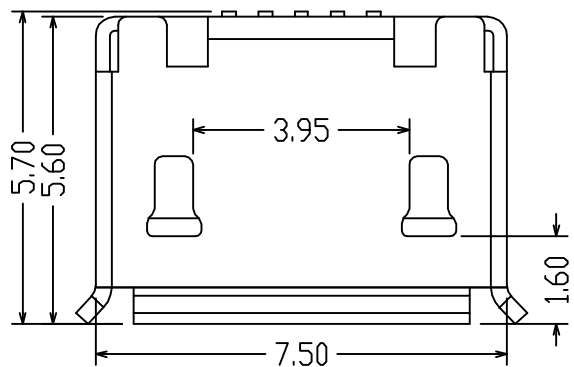
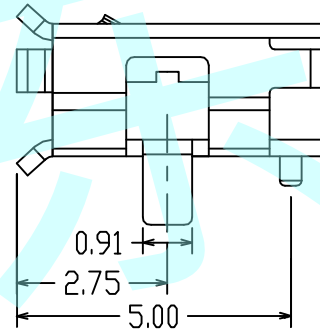
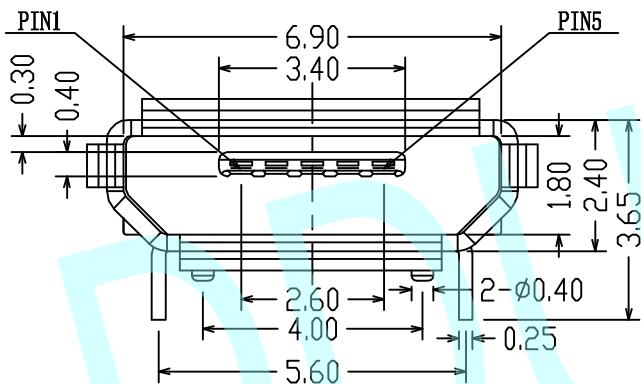


**ROHS**

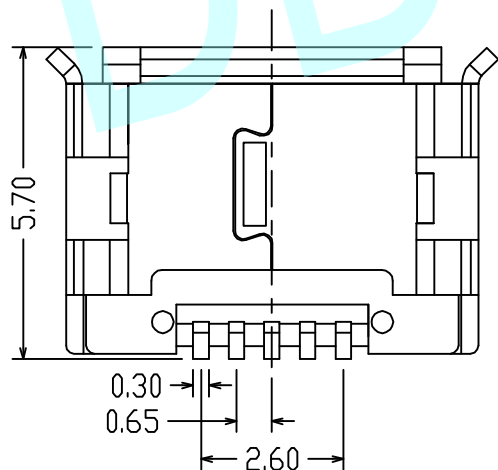




Recommended PCB Layout



**NOTES:**

1. Rating: DC 30V 1A
2. Mechanical Life: 10,000 Cycles
3. Packaging: 1000PCS/Reel



APPROVALS		DATE	http://www.dongdudz.com		 <b>® 东都电子</b> DONGDU ELECTRONICS
DRAW:	ZRD	2017-12-6	TOLERANCE:	ANGLE:	
CHECKED:	***	***	30°	±0.30	
APPOVALS:	***	***	10°30'	±0.20	
			5°10'	±0.15	
			≤5	±0.10	MODEL: USB CONNECTOR PART NO: MICRO USB-M-08 UNIT :mm SCALE:1:1  REV: A PAGE:1/1