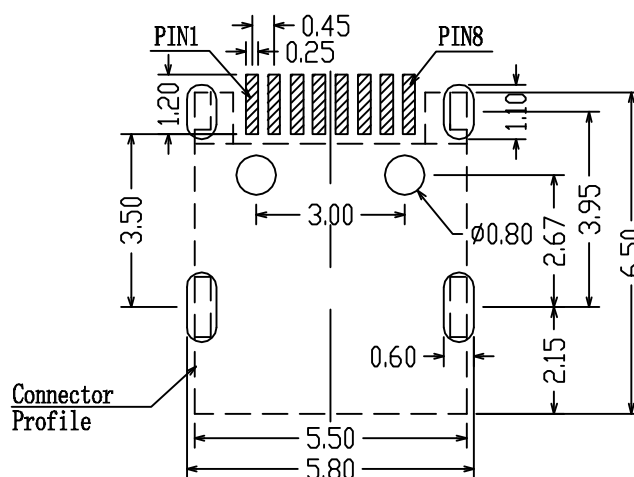
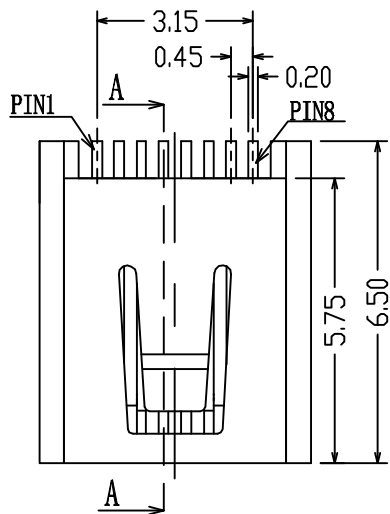
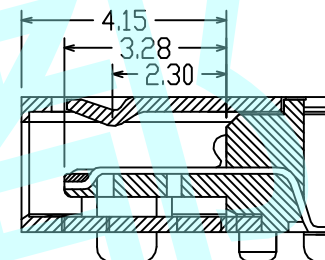
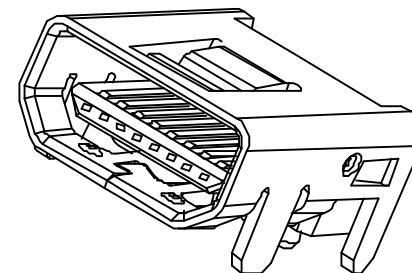


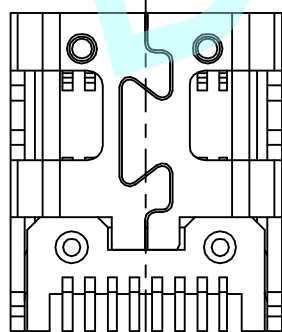
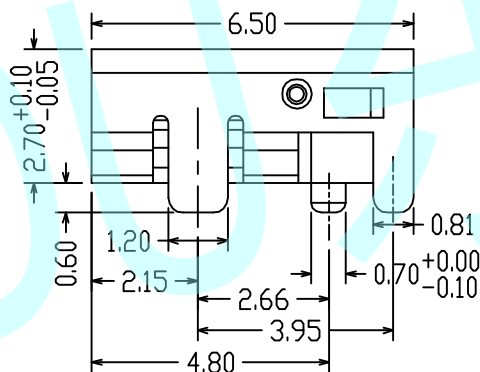
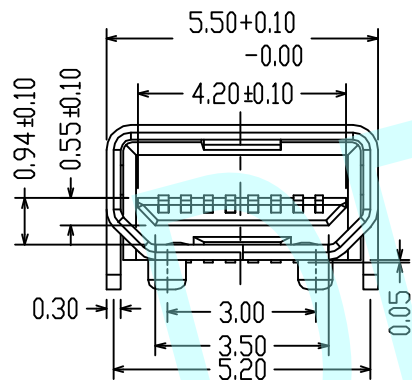
**ROHS**



RECOMMENDED PCB LAYOUT


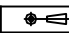


SECTION A-A



NOTES:

1. Mating Force: 1.0~2.0 kgf
2. Unmating Force: 1.0~2.0 kgf
3. Compliance With ROHS Directive
4. Mating Durability : 10,000 Cycles

APPROVALS		DATE	http://www.dongdudz.com	
DRAW:	ZRD	2017-12-6	TOLERANCE:	ANGLE:
CHECKED:	***	***	30≥	±0.30
APPOVALS:	***	***	10~30	±0.20
			5~10	±0.15
			≤5	±0.10
				±2°
			 <b>® 东都电子</b> DONGDU ELECTRONICS	
MODBL:		USB CONNECTOR		
PART NO:		MICRO USB-M-03		
UNIT :mm	SCALE:1:1			
REV:	A	PAGE:1/1		