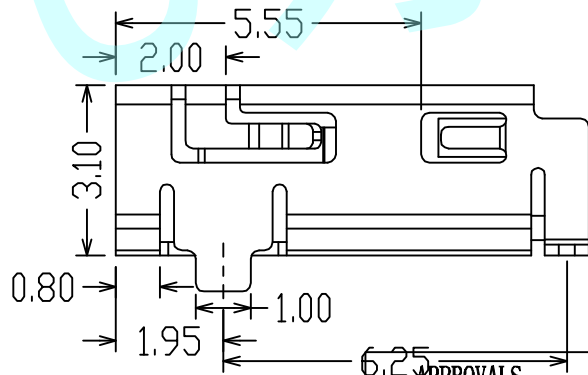
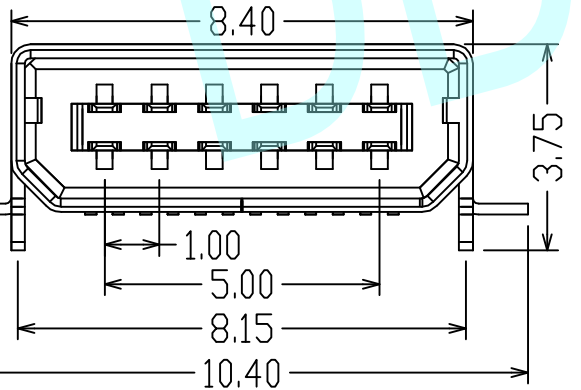
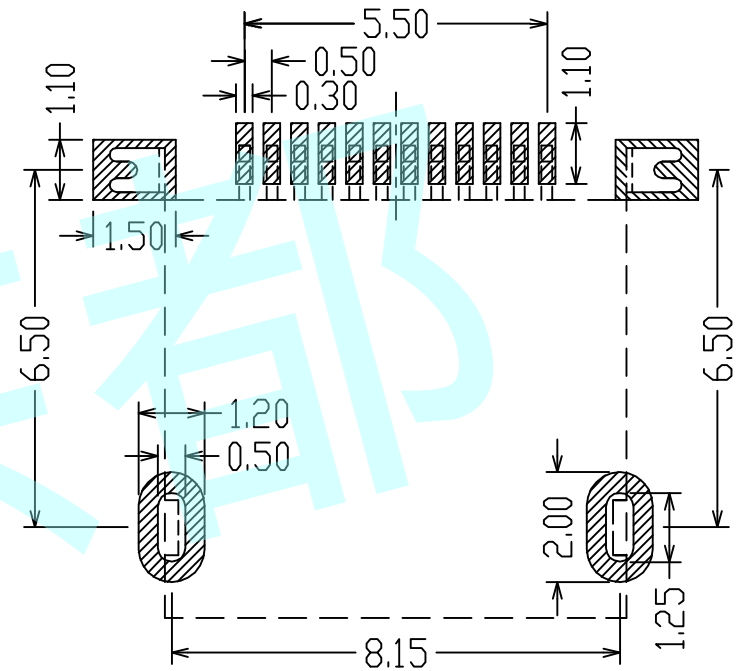
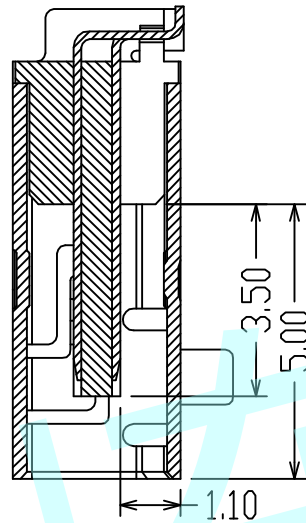
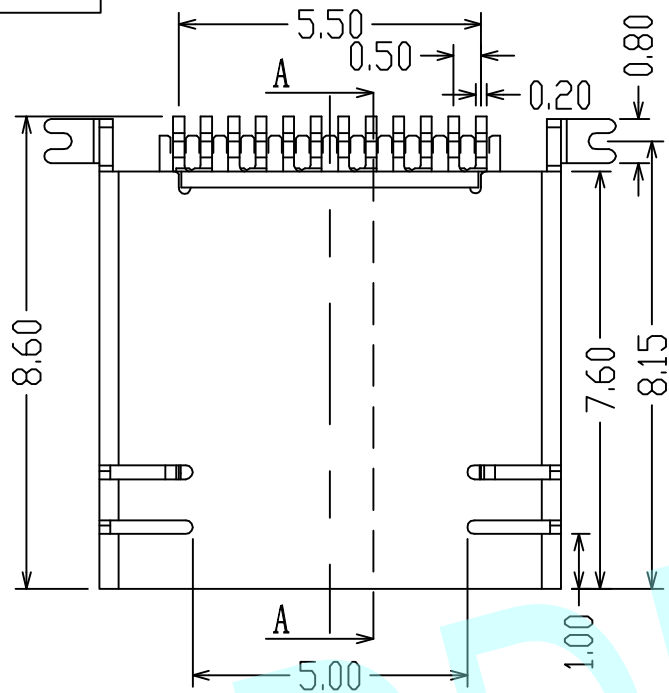


ROHS



APPROVALS		DATE	http://www.dongdudz.com	
DRAW:	ZRD	2017-12-6	TOLERANCE:	ANGLE:
CHECKED:	***	***	30°	±0.30
APPOVALS:	***	***	10°30'	±0.20
			5°10'	±0.15
			≤5	±0.10

东都电子
DONGDU ELECTRONICS

MODBL: USB CONNECTOR
PART NO: MICRO USB-M-01
UNIT :mm SCALE:1:1
REV: A PAGE:1/1