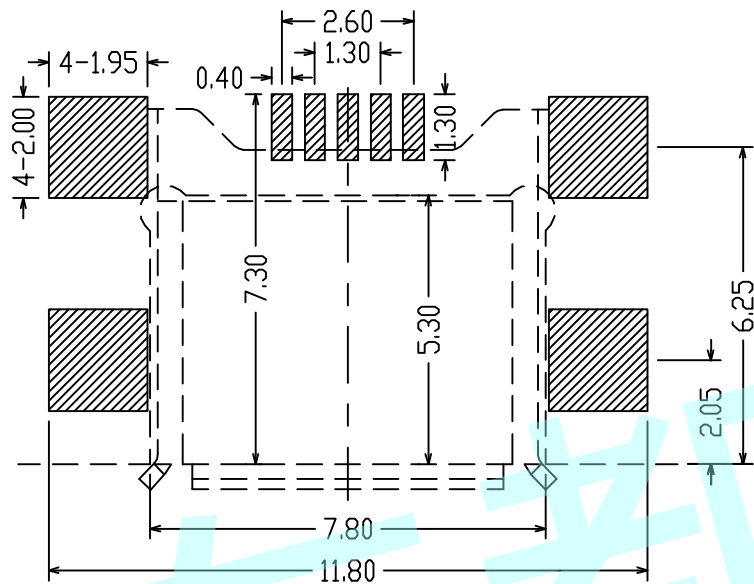
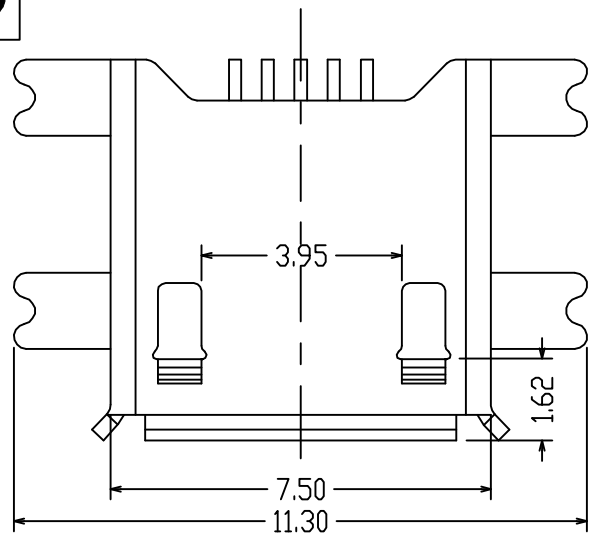
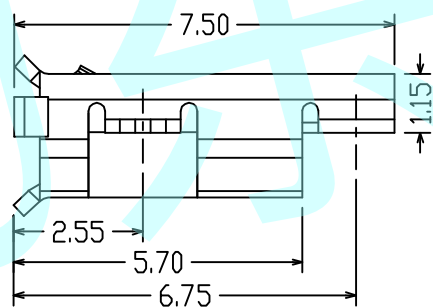
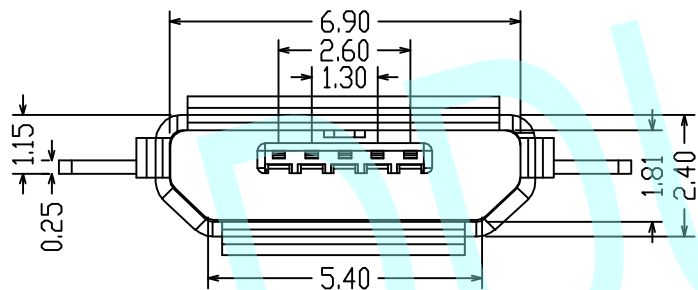


ROHS

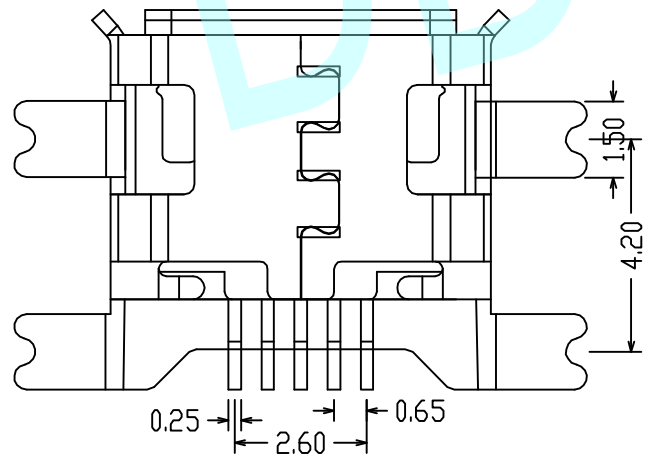




Recommended PCB Layout



NOTES:

1. Rating: DC 30V 1A
2. Mechanical Life: 10,000 Cycles
3. Packaging: 1000PCS/Reel



APPROVALS		DATE	http://www.dongdudz.com	
DRAW:	ZRD	2017-12-6	TOLERANCE:	ANGLE:
CHECKED:	***	***	30° ≥ ±0.30	±2°
APPOVALS:	***	***	10°~30 ±0.20	
			5°~10 ±0.15	
			≤5 ±0.10	
			 ® 东都电子 DONGDU ELECTRONICS	
MODEL:		USB CONNECTOR		
PART NO:		MICRO USB-M-13		
UNIT :mm	SCALE:1:1			
REV:	A	PAGE:1/1		