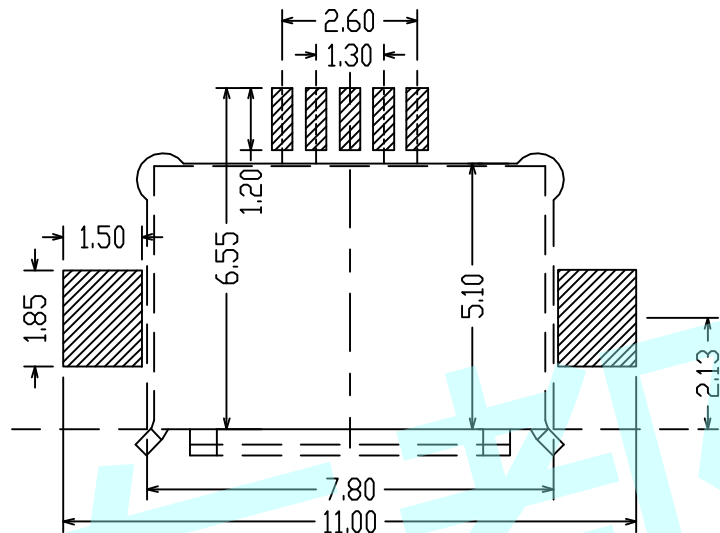
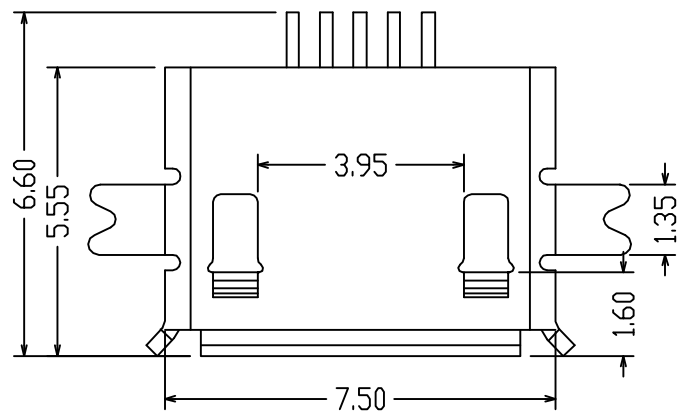
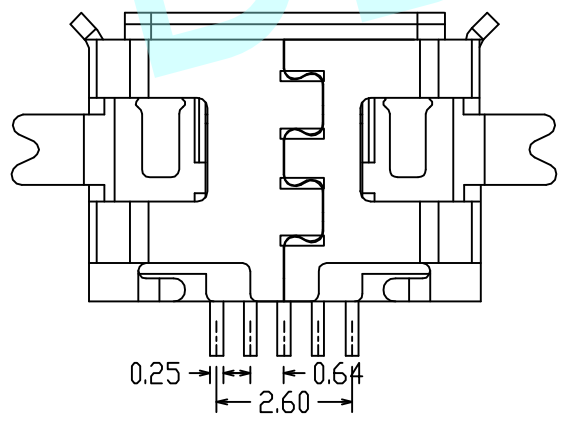
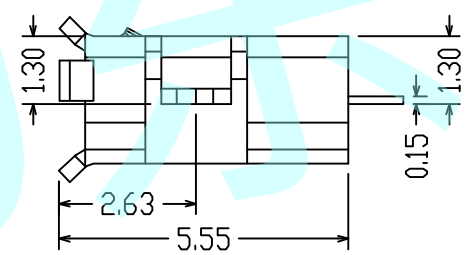
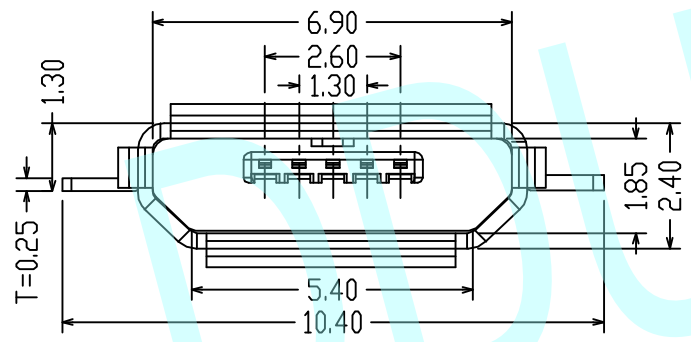


ROHS


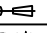


Recommended PCB Layout



NOTES:

1. Rating:DC 30V 1A
2. Mechanical Life:10,000 Cycles
3. Packaging:1000PCS/Reel

APPROVALS		DATE	http://www.dongdudz.com	
DRAW:	ZRD	2017-12-6	TOLERANCE:	ANGLE:
CHECKED:	***	***	30° ±0.30	±2°
APPOVALS:	***	***	10°30 ±0.20	
			5°10 ±0.15	
			≤5 ±0.10	
 <b>® 东都电子</b> DONGDU ELECTRONICS		MODEL: USB CONNECTOR PART NO: MICRO USB-M-12 UNIT :mm SCALE:1:1  REV: A PAGE:1/1		