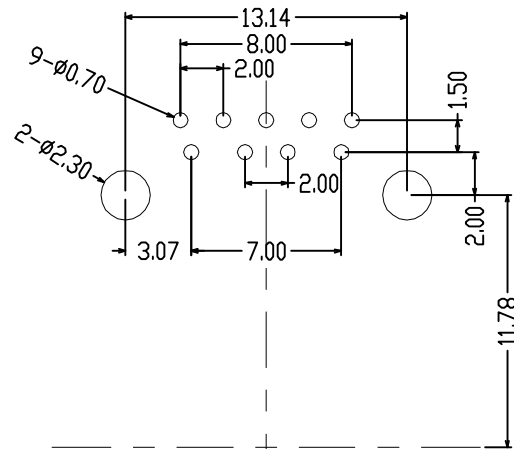
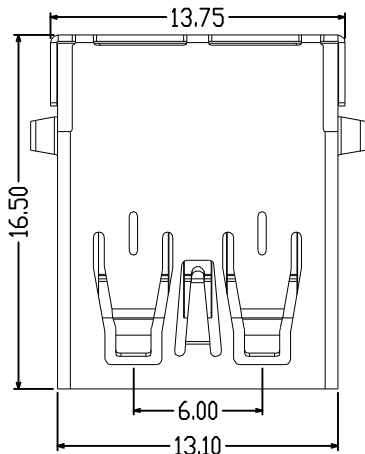
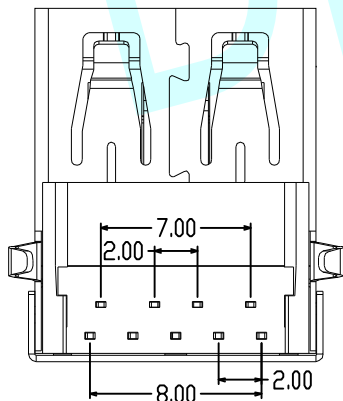
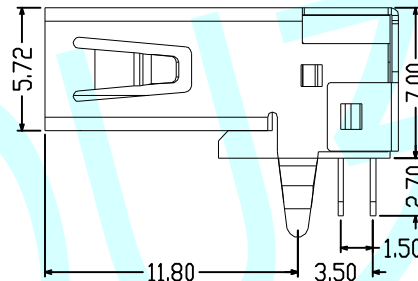
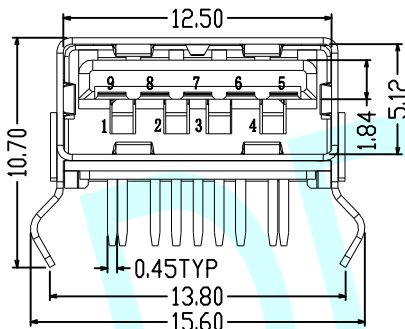


**ROHS**



**PCB LAYOUT**



**Specifications:**

**A. Electrical:**


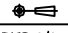
1. Current rating:1.5A/contact terminal
2. Voltage rating:30V DC
3. Dielectric withstanding voltage:500V AC AT SEA LEVEL
4. Contact resistance:30mΩ MAX
5. Insulation resistance:1000MΩ MIN
6. Connector mate and unmate force:  
Mate force:3.57kgf (MAX)  
Unmate force:1.02kgf (MIN)
7. Terminal retention:1.0kgf (MIN)

**B. Material:**

1. Housing:High temperature thermoplastics
2. Contact:copper alloy C2680
3. Shell:copper alloy C2680/SPCC

**C. Finish:**

1. Contact:Plate gold in mating area:  
Tin on solder tails  
端子四周镀50u" (MIN) 锡, 镀金区域镀100~200u"镀金1u"
2. Shell:铜壳四周镀80u" (MIN) 锡  
Nickel plating

SIGNAL NAME	VBUS	D-	D+	GND	SSRX-	SSRX+	GND	SSTX-	SSTX+	Shield
PIN NO.	1	2	3	4	5	6	7	8	9	Shell
APPROVALS		DATE		http://www.dongdudz.com						
DRAW:	ZRD	2017-12-6		TOLERANCE:		ANGLE:		±2°		
CHECKED:	***	***		30≥	±0.30					
APPOVALS:	***	***		10~30	±0.20					
				5~10	±0.15					
				≤5	±0.10					
								 <b>® 东都电子</b> DONGDU ELECTRONICS		
								MODEL: USB CONNECTOR PART NO: USB-3.0-W UNIT :mm SCALE:1:1  REV: A PAGE:1/1		