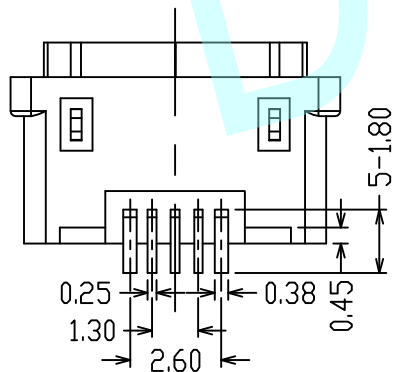
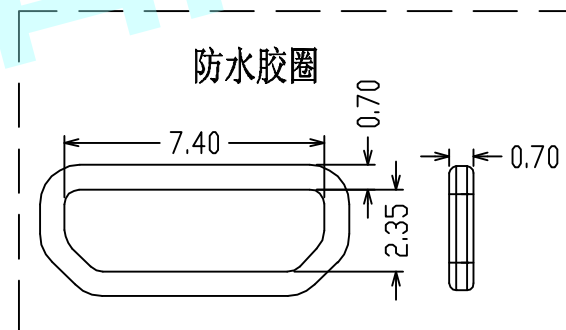
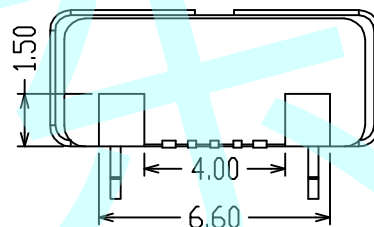
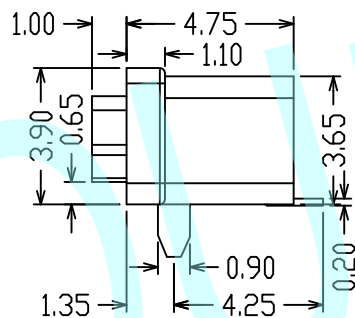
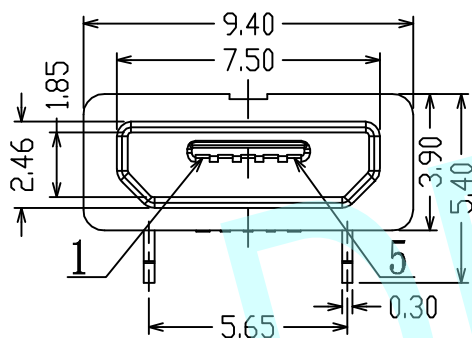
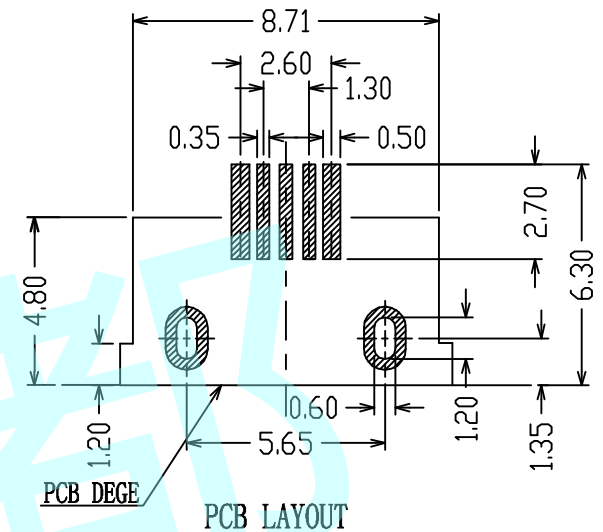
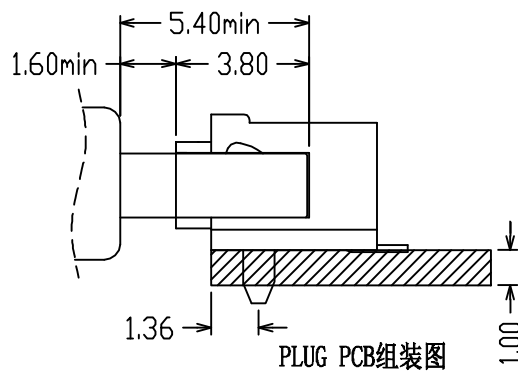
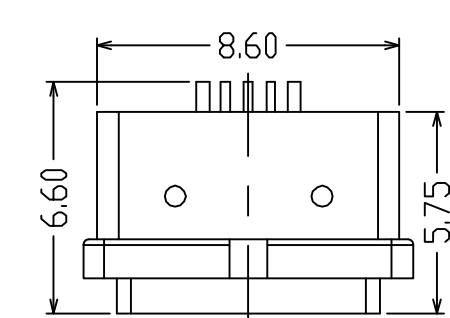

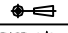


ROHS



NOTES:

1. Rating :DC 30V 1A
2. Dielectric Withstanding:250V AC For 1 min
3. Contat Resistance:30mΩ Max
4. Insulation Resistance:500MΩ Min
5. Operating Temperature Range:-25℃~85℃
6. Operating Life:5000 Cycles
7. IP Rating: IP67

APPROVALS		DATE	http://www.dongdudz.com		
DRAW:	ZRD	2017-12-6	TOLERANCE:	ANGLE:	
			30 <sup>≥</sup>	±0.30	±2°
CHECKED:	***	***	10°30	±0.20	
APPOVALS:	***	***	5°10	±0.15	
			≤5	±0.10	
 <b>东都电子</b> DONGDU ELECTRONICS		MODEL:	USB CONNECTOR		
		PART NO:	USB-AB-IP67-2		
		UNIT :mm	SCALE:1:1		
		REV:	A	PAGE:1/1	